

# jaga

CLIMATE DESIGNERS

Heating



Light cooling



Deep cooling



FREEDOM € 2023.EX



€.EX 01/2023

# jaga

CLIMATE DESIGNERS

## FREEDOM

Freedom of choice in energy source, installation and application

### **Effective at the lowest water temperatures**

Freedom is super-efficient in combination with any energy source. The lower the water temperature, the clearer the benefits of its power and flexibility! It is the perfect solution for use with heat pumps and new heating systems operating at very low water temperatures.

### **Compact elegant design**

Freestanding Freedom radiators present Jaga's innovative and environmentally friendly Hybrid technology in its most compact and beautiful design yet. From its compact design, it packs a powerful punch and performs much more effectively than a bulky traditional radiator or fan convector and can be sympathetically integrated into any interior design concept.

### **Heating and cooling**

Despite its compact design, Freedom can meet your heating and cooling requirements! It's suitable for non-condensing and condensing cooling using chilled water. Freedom comes fitted with a condensate tray as standard.



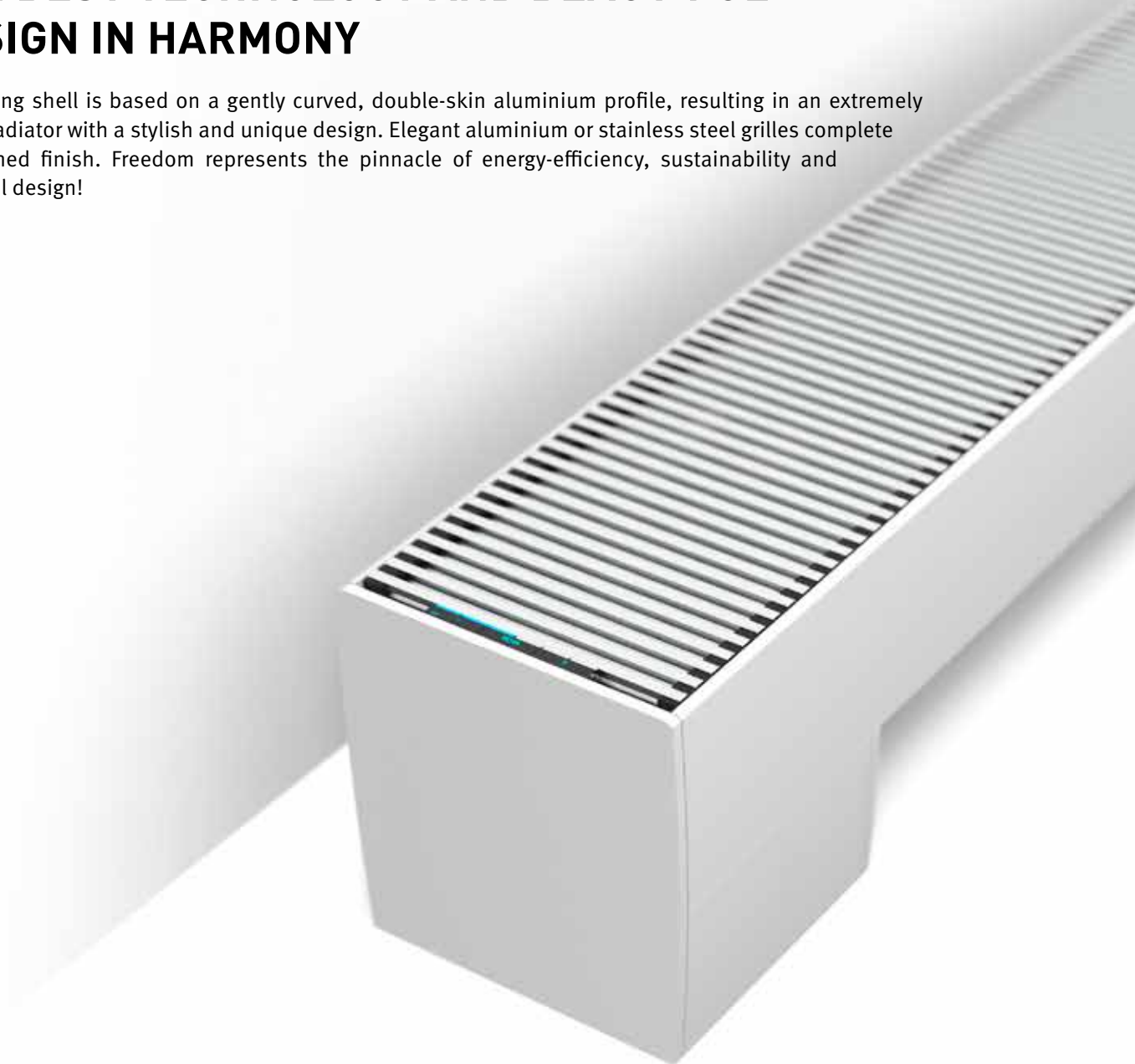


FREEDOM



# THE BEST TECHNOLOGY AND BEAUTIFUL DESIGN IN HARMONY

The casing shell is based on a gently curved, double-skin aluminium profile, resulting in an extremely strong radiator with a stylish and unique design. Elegant aluminium or stainless steel grilles complete the refined finish. Freedom represents the pinnacle of energy-efficiency, sustainability and beautiful design!



## PERFECT FOR FREE COOLING

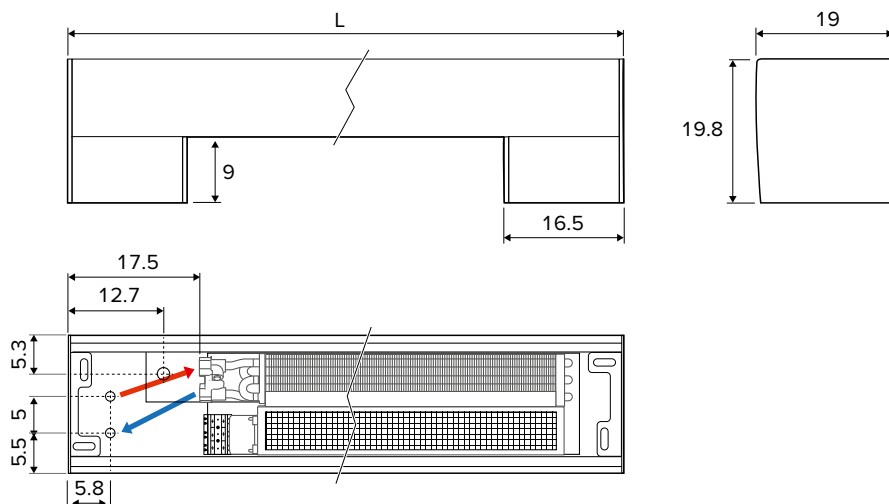
When using water/water heat pumps, summer cooling can be provided using groundwater. This extremely eco-friendly form of cooling will become more and more popular, and may become compulsory in some countries. Freedom is one of the most efficient and environmentally-friendly solutions for this type of climate control



# FREEDOM



## DIMENSIONS (in cm)



## STANDARD DELIVERY

Fully pre-mounted free-standing radiator consisting of:

- aluminium casing
- aluminium cover panels
- aluminium grilles
- dynamic heat exchanger with flexible stainless steel connections 1/2", 15 cm long
- 24 VDC tangential activator(s), with integrated stainless steel filter
- hydraulic and electrical connections integrated in the foot
- pre-assembled JDPC with control panel

## COLOURS

Scratch resistant epoxy-polyester finish with a structured satin gloss surface. High UV resistance.

Standard colours:

- traffic white RAL 9016 (133), soft touch lightly structured satin lacquer
- sandblast grey (001), fine texture metallic lacquer
- off-black RAL 7021 (145) Soft touch: finely-textured matte look, gloss degree < 10%

Other colours: see colour chart

## ELECTRICAL CONNECTION

- 24 VDC clamp connector for electrical connection to be connected to an external power supply

## HYDRAULIC CONNECTION

- allow extra space for curtains between the Freedom casing and the window.
- always install Freedom with the heat exchanger on the window side or on the wall side, not on the room side
- insulate valve and pipes to prevent condensation when cooling

## CONNECTION SETS

### With Jaga valve and lockshield



- thermoelectric drive 24 VDC
- valve G1/2" x 3/4" Eurocone 180°
- lockshield G1/2" x 3/4" Eurocone 180°
- pressure drop graph Jaga valve: see p. 338

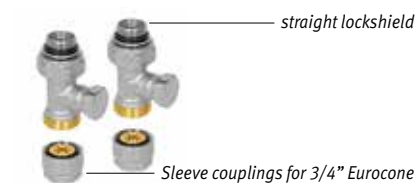
set 294

### TWO PIPE

CODY.AA4.24.4...	24 VDC	119
CODY.AA4.10.4...	24 VDC (0-10 V)	220

fill in sleeve coupling code

### With 2 lockshields



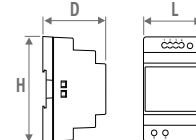
set 291

### TWO PIPE

CODY.LOS.00.4...		52
------------------	--	----

fill in sleeve coupling code

## OPTION POWER SUPPLY



CODE	H	L	D
7990.054	9.0	3.5	5.9
7990.055	9.0	5.3	5.9
7990.056	9.0	7.0	5.9
7990.057	9.0	10.3	5.9

- for DIN-rail or wall mounting
- conformity UL60950 / UL508 / IEC 60950-1 / TUV EN61558-2-16 / Klasse 2
- output voltage 24 VDC / input 100 - 240 VAC
- screw connection and LED indicator

CODE	output Watts	Output current A	€
7990.054	36	1.5	46
7990.055	60	2.5	63
7990.056	92	3.9	90
7990.057	150	6.25	180

Required power = sum of the power consumption of the devices

DIMENSIONS			POSITION	HEATING ROOM TEMPERATURE 20°C				COOLING TOTAL ROOM TEMPERATURE 27°C		COOLING SENSIBLE ROOM TEMPERATURE 27°C	COOLING (Non-condensing) ROOM TEMPERATURE 27°C	SOUND PRESSURE*	AIR FLOW	POWER CONSUMPTION	STANDARD COLOUR GRILLE BNA	STANDARD COLOUR GRILLE BNC/XXX	ORDER CODE
H	L	B		75/65	55/45	45/35	35/30	7/12	7/12	16/18	dB(A)						
cm	cm	cm		Watts	Watts	Watts	Watts	Watts	Watts	Watts							
020	074	19	1	562	335	221	139	172	123	75	15	37	0.8	813	937	FDCE.020 074 19 /XXX	
			2	792	472	311	196	268	194	118	23	52	1.3				
			3	1218	726	478	301	466	346	210	34	79	3.0				
110	19	19	1	1122	669	441	278	342	245	148	19	75	1.3	1118	1286	FDCE.020 110 19 /XXX	
			2	1580	943	621	391	535	388	235	29	98	2.7				
			3	2433	1451	956	602	931	691	419	37	160	7.1				
145	19	19	1	1687	1006	663	417	513	368	223	20	112	2.1	1559	1794	FDCE.020 145 19 /XXX	
			2	2375	1417	933	588	804	583	353	30	150	4.0				
			3	3656	2181	1436	905	1398	1037	628	39	239	10.1				
181	19	19	1	2249	1341	884	557	687	492	298	22	150	2.5	1763	2028	FDCE.020 181 19 /XXX	
			2	3168	1890	1245	784	1072	777	471	32	196	5.4				
			3	4877	2909	1916	1207	1866	1384	839	41	320	14.1				

Output measured in accordance with EN 16430

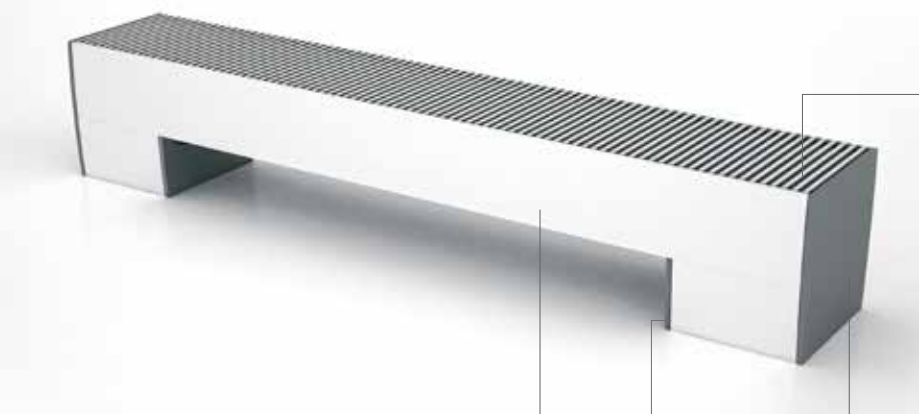
\* Noise measurement according to ISO 3741:2010, 2 m from the device and with an assumed room attenuation of 8 dB(A) / room volume 100 m³ / reverberation time 0.5 sec.

enter grille code



# FREEDOM

## CODE STRUCTURE - OVERVIEW COLOUR COMBINATIONS



Freedom Clima **FDCF. 020 181 19. 133.** /BNA

code height length width colour grille code

**Standard colours:**  
 traffic white RAL 9016 (133)  
 sandblast grey (001)

**Other colours:**  
 see colour chart

**Freedom Clima:**  
 Grille aluminium natural: BNA  
 Grille aluminium lacquered: BNC/2XX  
 enter colour code

## EXAMPLES

with standard colours



with other colours



Create your own



Design your own print  
 For more information contact Jaga:  
 ☎ +32 29 41 12 - ✉ export@jaga.be  
 or your local dealer

## COMPOSITION

**Freedom:**

**Natural anodized aluminium grilles with**  
 aerodynamically designed fin profiles for improved  
 air movement

**Stainless steel flexible connections**  
 1/2", 15 cm long

**Electrical connection**

**Pre-assembled Jaga Dynamic Product  
 Controller (JDPC) with control panel**

**Inner casing**  
 in black painted steel plate

**Condensate tray**  
 with outlet spigot ø 10 mm

**Dynamic Low-H<sub>2</sub>O heat exchanger** in  
 copper and aluminium, electrostatically  
 black painted. With "click" steel fastening  
 for easy maintenance

**Tangential activator(s)** with ball-  
 bearing 24VDC EC-motorsaving  
 up to 50% in electricity consump-  
 tion. With soundproof EPDM  
 damperg

**Integrated air filter** in stain-  
 less steel, with steel click  
 fixing for easy maintenance

**Cover-up panels**  
 in aluminium

**asing**  
 in double-skin aluminium









**jaga**  
CLIMATE  
DESIGNERS

Jaga International  
Verbindingslaan 16  
B-3590 Diepenbeek

Tel.: +32 (0)11 29 41 12  
Fax: +32 (0)11 29 41 60  
export@jaga.com

The information in this price list is correct at the time of printing.  
Jaga reserves the right to change product specification at any time in line  
with our policy of continuous improvement and innovation.  
All prices in Euro, exclude VAT. Prices valid from January 1, 2023.  
Replaces all existing price lists.