

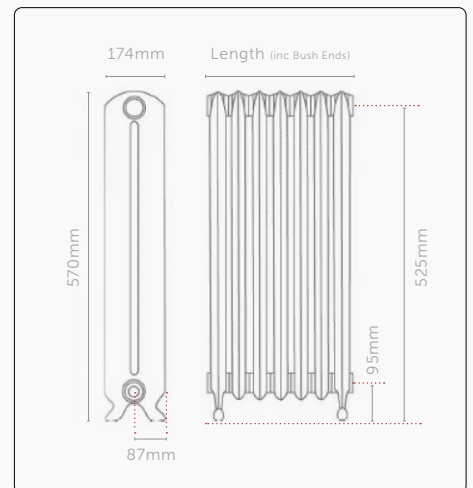
Bartholomew

The Bartholomew classic cast iron radiator. An old hospital radiator was the inspiration for the simple, versatile yet timeless classic – the Bartholomew. The Bartholomew is a timeless, classic cast iron radiator, whose design was originally used in hospitals in the Victorian era. The elegant, simple lines of the Bartholomew, named after the famous London hospital, lend themselves to suit both modern and period homes. The simplicity of the Bartholomew enables many custom finish options, to transform the clean, smooth lines of this radiator into a delightfully stylish feature, for any room.

HEIGHT (Please select your required height to view heat output and specifications)

570 740

CODE/ SECTIONS	LENGTH	OUTPUT				WEIGHT (KG)	WATER CONTENT (LTRs)
		Dt60		Dt50			
		BTUs	WATTS	BTUs	WATTS		
BART-570-03	249	1115	327	880	258	21.12	5.10
BART-570-04	320	1487	436	1174	344	28.16	6.80
BART-570-05	392	1859	545	1467	430	35.20	8.50
BART-570-06	463	2231	654	1761	516	42.24	10.20
BART-570-07	535	2602	763	2054	602	49.28	11.90
BART-570-08	606	2974	872	2347	688	56.32	13.60
BART-570-09	678	3346	981	2641	774	63.36	15.30
BART-570-10	749	3718	1090	2934	860	70.40	17.00
BART-570-11	821	4090	1199	3228	946	77.44	18.70
BART-570-12	892	4461	1308	3521	1032	84.48	20.40
BART-570-13	964	4833	1417	3815	1118	91.52	22.10
BART-570-14	1035	5205	1525	4108	1204	98.56	23.80
BART-570-15	1107	5577	1634	4401	1290	105.60	25.50
BART-570-16	1178	5948	1743	4695	1376	112.64	27.20
BART-570-17	1250	6320	1852	4988	1462	119.68	28.90
BART-570-18	1321	6692	1961	5282	1548	126.72	30.60
BART-570-19	1393	7064	2070	5575	1634	133.76	32.30
BART-570-20	1464	7436	2179	5869	1720	140.80	34.00
BART-570-21	1536	7807	2288	6162	1806	147.84	35.70
BART-570-22	1607	8179	2397	6456	1892	154.88	37.40
BART-570-23	1679	8551	2506	6749	1978	161.92	39.10
BART-570-24	1750	8923	2615	7042	2064	168.96	40.80
BART-570-25	1822	9294	2724	7336	2150	176.00	42.50
BART-570-26	1893	9666	2833	7629	2236	183.04	44.20
BART-570-27	1965	10038	2942	7923	2322	190.08	45.90
BART-570-28	2036	10410	3051	8216	2408	197.12	47.60
BART-570-29	2108	10782	3160	8510	2494	204.16	49.30
BART-570-30	2179	11153	3269	8803	2580	211.20	51.00
BART-570-31	2251	11525	3378	9096	2666	218.24	52.70
BART-570-32	2322	11897	3487	9390	2752	225.28	54.40
BART-570-33	2394	12269	3596	9683	2838	232.32	56.10
BART-570-34	2465	12640	3705	9977	2924	239.36	57.80
BART-570-35	2537	13012	3814	10270	3010	246.40	59.50
BART-570-36	2608	13384	3923	10564	3096	253.44	61.20
BART-570-37	2680	13756	4032	10857	3182	260.48	62.90
BART-570-38	2751	14128	4141	11150	3268	267.52	64.60
BART-570-39	2823	14499	4250	11444	3354	274.56	66.30
BART-570-40	2894	14871	4358	11737	3440	281.60	68.00



01205 280354

sales@paladinradiators.com

www.paladinradiators.com

Paladin Radiators, Langrick Road,
New York, Lincolnshire LN4 4XH



Maximum test pressure = 3.3 bar | Maximum working pressure = 2.5 bar

Dt50 figures shown in accordance with BS EN442. We have, from experience, found that the Dt60 figures usually give adequate output without oversizing the radiators on standard heating systems. Maximum test pressure = 3.3 bar | Maximum working pressure = 2.5 bar. Lengths quoted are given in good faith. However, due to the nature of the manufacturing process tolerances can and should be expected. Quoted dimensions should therefore only be used as a guideline. Longer lengths are available on request.

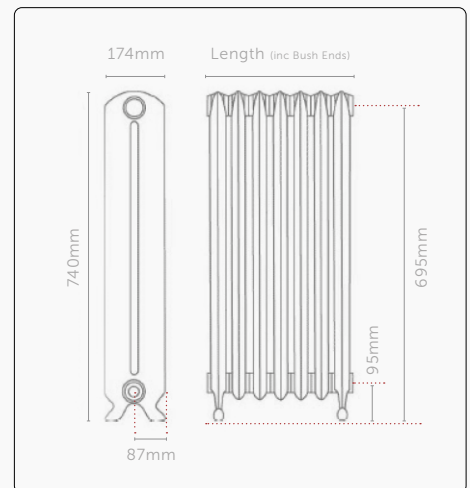
Bartholomew

The Bartholomew classic cast iron radiator. An old hospital radiator was the inspiration for the simple, versatile yet timeless classic – the Bartholomew. The Bartholomew is a timeless, classic cast iron radiator, whose design was originally used in hospitals in the Victorian era. The elegant, simple lines of the Bartholomew, named after the famous London hospital, lend themselves to suit both modern and period homes. The simplicity of the Bartholomew enables many custom finish options, to transform the clean, smooth lines of this radiator into a delightfully stylish feature, for any room.

HEIGHT (Please select your required height to view heat output and specifications)

570 **740**

CODE/ SECTIONS	LENGTH	OUTPUT				WEIGHT (KG)	WATER CONTENT (LTRs)
		Dt60		Dt50			
		BTUs	WATTS	BTUs	WATTS		
BART-740-03	249	1443	423	1139	334	28.98	6.30
BART-740-04	320	1924	564	1519	445	38.64	8.40
BART-740-05	392	2405	705	1898	556	48.30	10.50
BART-740-06	463	2886	846	2278	668	57.96	12.60
BART-740-07	535	3367	987	2658	779	67.62	14.70
BART-740-08	606	3848	1128	3037	890	77.28	16.80
BART-740-09	678	4329	1269	3417	1001	86.94	18.90
BART-740-10	749	4810	1410	3797	1113	96.60	21.00
BART-740-11	821	5291	1551	4176	1224	106.26	23.10
BART-740-12	892	5772	1692	4556	1335	115.92	25.20
BART-740-13	964	6253	1833	4935	1447	125.58	27.30
BART-740-14	1035	6734	1974	5315	1558	135.24	29.40
BART-740-15	1107	7215	2115	5695	1669	144.90	31.50
BART-740-16	1178	7696	2256	6074	1780	154.56	33.60
BART-740-17	1250	8177	2397	6454	1892	164.22	35.70
BART-740-18	1321	8658	2538	6834	2003	173.88	37.80
BART-740-19	1393	9139	2679	7213	2114	183.54	39.90
BART-740-20	1464	9620	2820	7593	2225	193.20	42.00
BART-740-21	1536	10101	2961	7973	2337	202.86	44.10
BART-740-22	1607	10582	3102	8352	2448	212.52	46.20
BART-740-23	1679	11063	3243	8732	2559	222.18	48.30
BART-740-24	1750	11544	3383	9112	2670	231.84	50.40
BART-740-25	1822	12026	3524	9491	2782	241.50	52.50
BART-740-26	1893	12507	3665	9871	2893	251.16	54.60
BART-740-27	1965	12988	3806	10251	3004	260.82	56.70
BART-740-28	2036	13469	3947	10630	3116	270.48	58.80
BART-740-29	2108	13950	4088	11010	3227	280.14	60.90
BART-740-30	2179	14431	4229	11390	3338	289.80	63.00
BART-740-31	2251	14912	4370	11769	3449	299.46	65.10
BART-740-32	2322	15393	4511	12149	3561	309.12	67.20
BART-740-33	2394	15874	4652	12529	3672	318.78	69.30
BART-740-34	2465	16355	4793	12908	3783	328.44	71.40
BART-740-35	2537	16836	4934	13288	3894	338.10	73.50
BART-740-36	2608	17317	5075	13668	4006	347.76	75.60
BART-740-37	2680	17798	5216	14047	4117	357.42	77.70
BART-740-38	2751	18279	5357	14427	4228	367.08	79.80
BART-740-39	2823	18760	5498	14806	4340	376.74	81.90
BART-740-40	2894	19241	5639	15186	4451	386.40	84.00



01205 280354

sales@paladinradiators.com

www.paladinradiators.com

Paladin Radiators, Langrick Road,
New York, Lincolnshire LN4 4XH



Maximum test pressure = 3.3 bar | Maximum working pressure = 2.5 bar

Dt50 figures shown in accordance with BS EN442. We have, from experience, found that the Dt60 figures usually give adequate output without oversizing the radiators on standard heating systems. Maximum test pressure = 3.3 bar | Maximum working pressure = 2.5 bar. Lengths quoted are given in good faith. However, due to the nature of the manufacturing process tolerances can and should be expected. Quoted dimensions should therefore only be used as a guideline. Longer lengths are available on request.