

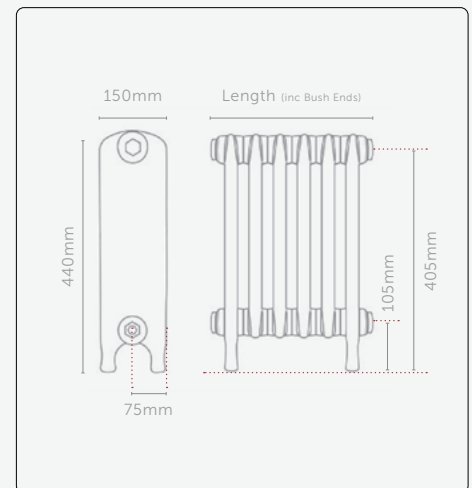
Clarendon

A truly classic design that has taken inspiration from some of Britain’s oldest and most elite schools. The Clarendon is an old school cast iron radiator which has been expertly designed to be an exact copy of the original Clarendon. It is named after the Clarendon group of old schools some of which include Harrow, Eton and Winchester. This modest and characterful radiator lends itself to both contemporary and traditional spaces.

HEIGHT (Please select your required height to view heat output and specifications)

440 740

CODE/ SECTIONS	LENGTH	OUTPUT				WEIGHT (KG)	WATER CONTENT (LTRs)
		Dt60		Dt50			
		BTUs	WATTS	BTUs	WATTS		
CLAR-440-03	228	645	189	509	149	13	3.00
CLAR-440-04	293	860	252	679	199	17	4.00
CLAR-440-05	358	1075	315	849	249	21	5.00
CLAR-440-06	423	1290	378	1018	299	25	6.00
CLAR-440-07	488	1505	441	1188	348	30	7.00
CLAR-440-08	552	1721	504	1358	398	34	8.00
CLAR-440-09	617	1936	567	1528	448	38	9.00
CLAR-440-10	682	2151	630	1697	498	42	10.00
CLAR-440-11	747	2366	693	1867	547	47	11.00
CLAR-440-12	812	2581	756	2037	597	51	12.00
CLAR-440-13	876	2796	819	2207	647	55	13.00
CLAR-440-14	941	3011	882	2376	697	59	14.00
CLAR-440-15	1006	3226	945	2546	746	64	15.00
CLAR-440-16	1071	3441	1009	2716	796	68	16.00
CLAR-440-17	1136	3656	1072	2886	846	72	17.00
CLAR-440-18	1200	3871	1135	3055	896	76	18.00
CLAR-440-19	1265	4086	1198	3225	945	81	19.00
CLAR-440-20	1330	4301	1261	3395	995	85	20.00
CLAR-440-21	1395	4516	1324	3565	1045	89	21.00
CLAR-440-22	1460	4732	1387	3734	1095	93	22.00
CLAR-440-23	1524	4947	1450	3904	1144	98	23.00
CLAR-440-24	1589	5162	1513	4074	1194	102	24.00
CLAR-440-25	1654	5377	1576	4244	1244	106	25.00
CLAR-440-26	1719	5592	1639	4413	1294	110	26.00
CLAR-440-27	1784	5807	1702	4583	1343	115	27.00
CLAR-440-28	1848	6022	1765	4753	1393	119	28.00
CLAR-440-29	1913	6237	1828	4923	1443	123	29.00
CLAR-440-30	1978	6452	1891	5092	1493	127	30.00
CLAR-440-31	2043	6667	1954	5262	1542	131	31.00
CLAR-440-32	2108	6882	2017	5432	1592	136	32.00
CLAR-440-33	2172	7097	2080	5602	1642	140	33.00
CLAR-440-34	2237	7312	2143	5771	1692	144	34.00
CLAR-440-35	2302	7527	2206	5941	1741	148	35.00
CLAR-440-36	2367	7743	2269	6111	1791	153	36.00
CLAR-440-37	2432	7958	2332	6281	1841	157	37.00
CLAR-440-38	2496	8173	2395	6450	1891	161	38.00
CLAR-440-39	2561	8388	2458	6620	1940	165	39.00
CLAR-440-40	2626	8603	2521	6790	1990	170	40.00



01205 280354

sales@paladinradiators.com

www.paladinradiators.com

Paladin Radiators, Langrick Road,
New York, Lincolnshire LN4 4XH



Maximum test pressure = 3.3 bar | Maximum working pressure = 2.5 bar

Dt50 figures shown in accordance with BS EN442. We have, from experience, found that the Dt60 figures usually give adequate output without oversizing the radiators on standard heating systems. Maximum test pressure = 3.3 bar | Maximum working pressure = 2.5 bar. Lengths quoted are given in good faith. However, due to the nature of the manufacturing process tolerances can and should be expected. Quoted dimensions should therefore only be used as a guideline. Longer lengths are available on request.

Clarendon

A truly classic design that has taken inspiration from some of Britain's oldest and most elite schools. The Clarendon is an old school cast iron radiator which has been expertly designed to be an exact copy of the original Clarendon. It is named after the Clarendon group of old schools some of which include Harrow, Eton and Winchester. This modest and characterful radiator lends itself to both contemporary and traditional spaces.

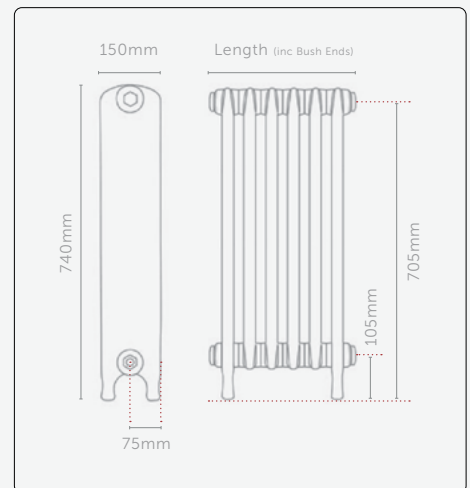
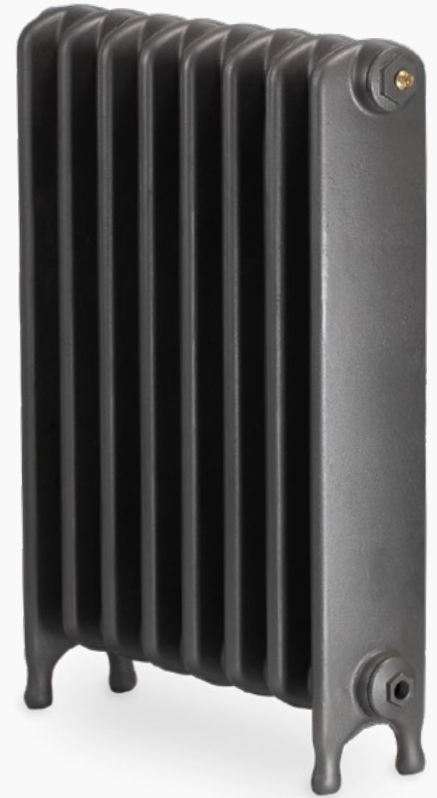
HEIGHT (Please select your required height to view heat output and specifications)

440 **740**

CODE/ SECTIONS	LENGTH	OUTPUT				WEIGHT (KG)	WATER CONTENT (LTRs)
		Dt60		Dt50			
		BTUs	WATTS	BTUs	WATTS		
CLAR-740-03	228	1057	310	834	245	25	5.10
CLAR-740-04	293	1409	413	1112	326	34	6.80
CLAR-740-05	358	1762	516	1390	408	42	8.50
CLAR-740-06	423	2114	620	1668	489	51	10.20
CLAR-740-07	488	2466	723	1947	571	59	11.90
CLAR-740-08	552	2819	826	2225	652	68	13.60
CLAR-740-09	617	3171	929	2503	734	76	15.30
CLAR-740-10	682	3523	1033	2781	815	85	17.00
CLAR-740-11	747	3876	1136	3059	897	94	18.70
CLAR-740-12	812	4228	1239	3337	978	102	20.40
CLAR-740-13	876	4580	1342	3615	1060	110	22.10
CLAR-740-14	941	4933	1446	3893	1141	119	23.80
CLAR-740-15	1006	5285	1549	4171	1223	127	25.50
CLAR-740-16	1071	5637	1652	4449	1304	136	27.20
CLAR-740-17	1136	5990	1755	4727	1386	144	28.90
CLAR-740-18	1200	6342	1859	5005	1467	153	30.60
CLAR-740-19	1265	6694	1962	5283	1549	161	32.30
CLAR-740-20	1330	7046	2065	5562	1630	170	34.00
CLAR-740-21	1395	7399	2168	5840	1712	178	35.70
CLAR-740-22	1460	7751	2272	6118	1793	187	37.40
CLAR-740-23	1524	8103	2375	6396	1875	195	39.10
CLAR-740-24	1589	8456	2478	6674	1956	204	40.80
CLAR-740-25	1654	8808	2582	6952	2038	212	42.50
CLAR-740-26	1719	9160	2685	7230	2119	221	44.20
CLAR-740-27	1784	9513	2788	7508	2201	229	45.90
CLAR-740-28	1848	9865	2891	7786	2282	237	47.60
CLAR-740-29	1913	10217	2995	8064	2364	246	49.30
CLAR-740-30	1978	10570	3098	8342	2445	254	51.00
CLAR-740-31	2043	10922	3201	8620	2527	263	52.70
CLAR-740-32	2108	11274	3304	8898	2608	271	54.40
CLAR-740-33	2172	11627	3408	9177	2690	280	56.10
CLAR-740-34	2237	11979	3511	9455	2771	288	57.80
CLAR-740-35	2302	12331	3614	9733	2853	297	59.50
CLAR-740-36	2367	12684	3717	10011	2934	305	61.20
CLAR-740-37	2432	13036	3821	10289	3016	314	62.90
CLAR-740-38	2496	13388	3924	10567	3097	322	64.60
CLAR-740-39	2561	13741	4027	10845	3179	331	66.30
CLAR-740-40	2626	14093	4130	11123	3260	339	68.00

Maximum test pressure = 3.3 bar | Maximum working pressure = 2.5 bar

Dt50 figures shown in accordance with BS EN442. We have, from experience, found that the Dt60 figures usually give adequate output without oversizing the radiators on standard heating systems. Maximum test pressure = 3.3 bar | Maximum working pressure = 2.5 bar. Lengths quoted are given in good faith. However, due to the nature of the manufacturing process tolerances can and should be expected. Quoted dimensions should therefore only be used as a guideline. Longer lengths are available on request.



01205 280354

sales@paladinradiators.com

www.paladinradiators.com

Paladin Radiators, Langrick Road,
New York, Lincolnshire LN4 4XH

