

Oxford

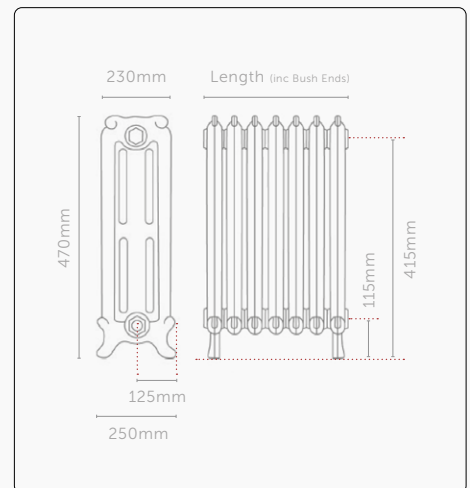
Emanating feelings of love and romance, the French-inspired Oxford radiates warmth, in more ways than one. The opulent Oxford antique cast iron radiator has its origins in late 1800's France. This ornate, antique cast iron radiator boasts a smooth sweeping, scalloped top detail with an elaborate interwoven design at the feet. This freestanding, extremely heat efficient antique radiator is perfect for a more extensive period room, barn or warehouse conversion, adding enchantment and delight in abundance.



HEIGHT (Please select your required height to view heat output and specifications)

470 570 765

CODE/ SECTIONS	LENGTH	OUTPUT				WEIGHT (KG)	WATER CONTENT (LTRs)
		Dt60		Dt50			
		BTUs	WATTS	BTUs	WATTS		
OXF-470-03	278	1237	363	977	286	25	5.10
OXF-470-04	359	1650	483	1302	382	33	6.80
OXF-470-05	440	2062	604	1628	477	41	8.50
OXF-470-06	521	2474	725	1953	572	49	10.20
OXF-470-07	602	2887	846	2279	668	58	11.90
OXF-470-08	684	3299	967	2604	763	66	13.60
OXF-470-09	765	3712	1088	2930	859	74	15.30
OXF-470-10	846	4124	1209	3255	954	82	17.00
OXF-470-11	927	4537	1330	3581	1049	91	18.70
OXF-470-12	1008	4949	1450	3906	1145	99	20.40
OXF-470-13	1090	5361	1571	4232	1240	107	22.10
OXF-470-14	1171	5774	1692	4557	1336	115	23.80
OXF-470-15	1252	6186	1813	4883	1431	124	25.50
OXF-470-16	1333	6599	1934	5208	1526	132	27.20
OXF-470-17	1414	7011	2055	5534	1622	140	28.90
OXF-470-18	1496	7423	2176	5859	1717	148	30.60
OXF-470-19	1577	7836	2297	6185	1813	157	32.30
OXF-470-20	1658	8248	2417	6510	1908	165	34.00
OXF-470-21	1739	8661	2538	6836	2003	173	35.70
OXF-470-22	1820	9073	2659	7161	2099	181	37.40
OXF-470-23	1902	9486	2780	7487	2194	189	39.10
OXF-470-24	1983	9898	2901	7812	2290	198	40.80
OXF-470-25	2064	10310	3022	8138	2385	206	42.50
OXF-470-26	2145	10723	3143	8463	2480	214	44.20
OXF-470-27	2226	11135	3264	8789	2576	223	45.90
OXF-470-28	2308	11548	3384	9114	2671	231	47.60
OXF-470-29	2389	11960	3505	9440	2767	239	49.30
OXF-470-30	2470	12372	3626	9765	2862	247	51.00
OXF-470-31	2551	12785	3747	10091	2957	255	52.70
OXF-470-32	2632	13197	3868	10416	3053	264	54.40
OXF-470-33	2714	13610	3989	10742	3148	272	56.10
OXF-470-34	2795	14022	4110	11067	3244	280	57.80
OXF-470-35	2876	14435	4231	11393	3339	288	59.50
OXF-470-36	2957	14847	4351	11718	3434	297	61.20
OXF-470-37	3038	15259	4472	12044	3530	305	62.90
OXF-470-38	3120	15672	4593	12369	3625	313	64.60
OXF-470-39	3201	16084	4714	12695	3721	321	66.30
OXF-470-40	3282	16497	4835	13020	3816	330	68.00



01205 280354

sales@paladinradiators.com

www.paladinradiators.com

Paladin Radiators, Langrick Road,
New York, Lincolnshire LN4 4XH



Maximum test pressure = 3.3 bar | Maximum working pressure = 2.5 bar

Dt50 figures shown in accordance with BS EN442. We have, from experience, found that the Dt60 figures usually give adequate output without oversizing the radiators on standard heating systems. Maximum test pressure = 3.3 bar | Maximum working pressure = 2.5 bar. Lengths quoted are given in good faith. However, due to the nature of the manufacturing process tolerances can and should be expected. Quoted dimensions should therefore only be used as a guideline. Longer lengths are available on request.

Oxford

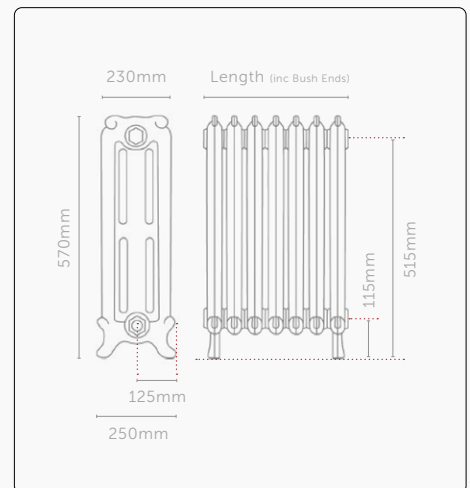
Emanating feelings of love and romance, the French-inspired Oxford radiates warmth, in more ways than one. The opulent Oxford antique cast iron radiator has its origins in late 1800's France. This ornate, antique cast iron radiator boasts a smooth sweeping, scalloped top detail with an elaborate interwoven design at the feet. This freestanding, extremely heat efficient antique radiator is perfect for a more extensive period room, barn or warehouse conversion, adding enchantment and delight in abundance.

HEIGHT (Please select your required height to view heat output and specifications)

470 **570** 765



CODE/ SECTIONS	LENGTH	OUTPUT				WEIGHT (KG)	WATER CONTENT (LTRs)
		Dt60		Dt50			
		BTUs	WATTS	BTUs	WATTS		
OXF-570-03	276	1491	437	1177	345	30	6.30
OXF-570-04	357	1989	583	1570	460	40	8.40
OXF-570-05	438	2486	729	1962	575	50	10.50
OXF-570-06	518	2983	874	2354	690	60	12.60
OXF-570-07	599	3480	1020	2747	805	69	14.70
OXF-570-08	680	3977	1166	3139	920	79	16.80
OXF-570-09	760	4474	1311	3531	1035	89	18.90
OXF-570-10	841	4971	1457	3924	1150	99	21.00
OXF-570-11	922	5469	1603	4316	1265	109	23.10
OXF-570-12	1002	5966	1748	4709	1380	119	25.20
OXF-570-13	1083	6463	1894	5101	1495	129	27.30
OXF-570-14	1164	6960	2040	5493	1610	139	29.40
OXF-570-15	1245	7457	2186	5886	1725	149	31.50
OXF-570-16	1325	7954	2331	6278	1840	159	33.60
OXF-570-17	1406	8451	2477	6670	1955	169	35.70
OXF-570-18	1487	8949	2623	7063	2070	179	37.80
OXF-570-19	1567	9446	2768	7455	2185	189	39.90
OXF-570-20	1648	9943	2914	7848	2300	198	42.00
OXF-570-21	1729	10440	3060	8240	2415	208	44.10
OXF-570-22	1809	10937	3206	8632	2530	218	46.20
OXF-570-23	1890	11434	3351	9025	2645	228	48.30
OXF-570-24	1971	11931	3497	9417	2760	238	50.40
OXF-570-25	2052	12429	3643	9810	2875	248	52.50
OXF-570-26	2132	12926	3788	10202	2990	258	54.60
OXF-570-27	2213	13423	3934	10594	3105	268	56.70
OXF-570-28	2294	13920	4080	10987	3220	278	58.80
OXF-570-29	2374	14417	4225	11379	3335	288	60.90
OXF-570-30	2455	14914	4371	11771	3450	298	63.00
OXF-570-31	2536	15412	4517	12164	3565	308	65.10
OXF-570-32	2616	15909	4663	12556	3680	317	67.20
OXF-570-33	2697	16406	4808	12949	3795	327	69.30
OXF-570-34	2778	16903	4954	13341	3910	337	71.40
OXF-570-35	2859	17400	5100	13733	4025	347	73.50
OXF-570-36	2939	17897	5245	14126	4140	357	75.60
OXF-570-37	3020	18394	5391	14518	4255	367	77.70
OXF-570-38	3101	18892	5537	14910	4370	377	79.80
OXF-570-39	3181	19389	5682	15303	4485	387	81.90
OXF-570-40	3262	19886	5828	15695	4600	397	84.00



01205 280354

sales@paladinradiators.com

www.paladinradiators.com

Paladin Radiators, Langrick Road,
New York, Lincolnshire LN4 4XH



Maximum test pressure = 3.3 bar | Maximum working pressure = 2.5 bar

Dt50 figures shown in accordance with BS EN442. We have, from experience, found that the Dt60 figures usually give adequate output without oversizing the radiators on standard heating systems. Maximum test pressure = 3.3 bar | Maximum working pressure = 2.5 bar. Lengths quoted are given in good faith. However, due to the nature of the manufacturing process tolerances can and should be expected. Quoted dimensions should therefore only be used as a guideline. Longer lengths are available on request.

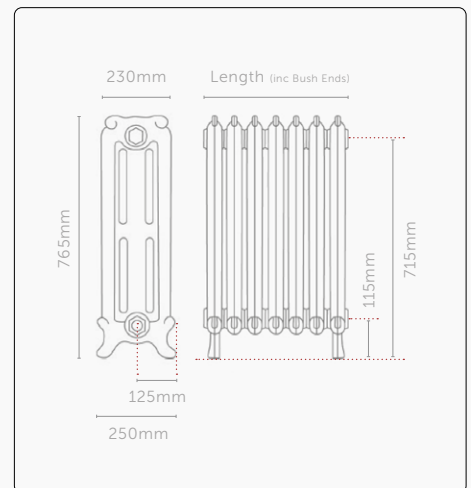
Oxford

Emanating feelings of love and romance, the French-inspired Oxford radiates warmth, in more ways than one. The opulent Oxford antique cast iron radiator has its origins in late 1800's France. This ornate, antique cast iron radiator boasts a smooth sweeping, scalloped top detail with an elaborate interwoven design at the feet. This freestanding, extremely heat efficient antique radiator is perfect for a more extensive period room, barn or warehouse conversion, adding enchantment and delight in abundance.

HEIGHT (Please select your required height to view heat output and specifications)

470 570 **765**

CODE/ SECTIONS	LENGTH	OUTPUT				WEIGHT (KG)	WATER CONTENT (LTRs)
		Dt60		Dt50			
		BTUs	WATTS	BTUs	WATTS		
OXF-765-03	278	2019	592	1594	467	44	8.10
OXF-765-04	359	2692	789	2125	623	59	10.80
OXF-765-05	440	3365	986	2656	779	74	13.50
OXF-765-06	521	4039	1184	3187	934	89	16.20
OXF-765-07	602	4712	1381	3719	1090	103	18.90
OXF-765-08	684	5385	1578	4250	1246	118	21.60
OXF-765-09	765	6058	1775	4781	1401	133	24.30
OXF-765-10	846	6731	1973	5312	1557	148	27.00
OXF-765-11	927	7404	2170	5844	1713	162	29.70
OXF-765-12	1008	8077	2367	6375	1868	177	32.40
OXF-765-13	1090	8750	2565	6906	2024	192	35.10
OXF-765-14	1171	9423	2762	7437	2180	207	37.80
OXF-765-15	1252	10096	2959	7969	2336	221	40.50
OXF-765-16	1333	10769	3156	8500	2491	236	43.20
OXF-765-17	1414	11443	3354	9031	2647	251	45.90
OXF-765-18	1496	12116	3551	9562	2803	266	48.60
OXF-765-19	1577	12789	3748	10094	2958	280	51.30
OXF-765-20	1658	13462	3945	10625	3114	295	54.00
OXF-765-21	1739	14135	4143	11156	3270	310	56.70
OXF-765-22	1820	14808	4340	11687	3425	325	59.40
OXF-765-23	1902	15481	4537	12219	3581	340	62.10
OXF-765-24	1983	16154	4735	12750	3737	354	64.80
OXF-765-25	2064	16827	4932	13281	3893	369	67.50
OXF-765-26	2145	17500	5129	13812	4048	384	70.20
OXF-765-27	2226	18173	5326	14344	4204	399	72.90
OXF-765-28	2308	18847	5524	14875	4360	413	75.60
OXF-765-29	2389	19520	5721	15406	4515	428	78.30
OXF-765-30	2470	20193	5918	15937	4671	443	81.00
OXF-765-31	2551	20866	6115	16469	4827	458	83.70
OXF-765-32	2632	21539	6313	17000	4982	472	86.40
OXF-765-33	2714	22212	6510	17531	5138	487	89.10
OXF-765-34	2795	22885	6707	18062	5294	502	91.80
OXF-765-35	2876	23558	6905	18594	5450	517	94.50
OXF-765-36	2957	24231	7102	19125	5605	531	97.20
OXF-765-37	3038	24904	7299	19656	5761	546	99.90
OXF-765-38	3120	25577	7496	20187	5917	561	102.60
OXF-765-39	3201	26251	7694	20719	6072	576	105.30
OXF-765-40	3282	26924	7891	21250	6228	590	108.00



01205 280354

sales@paladinradiators.com

www.paladinradiators.com

Paladin Radiators, Langrick Road,
New York, Lincolnshire LN4 4XH



Maximum test pressure = 3.3 bar | Maximum working pressure = 2.5 bar

Dt50 figures shown in accordance with BS EN442. We have, from experience, found that the Dt60 figures usually give adequate output without oversizing the radiators on standard heating systems. Maximum test pressure = 3.3 bar | Maximum working pressure = 2.5 bar. Lengths quoted are given in good faith. However, due to the nature of the manufacturing process tolerances can and should be expected. Quoted dimensions should therefore only be used as a guideline. Longer lengths are available on request.