

Piccadilly

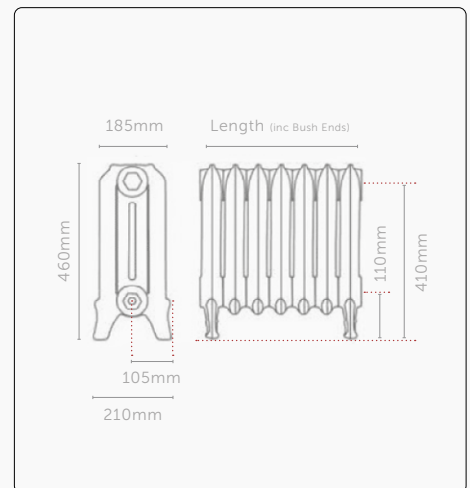
A 19th-century Celtic masterpiece that stirs your emotions and oozes intrigue. The Piccadilly is a decorative cast iron radiator that flaunts flowing Celtic ribbons that are intertwined with leaves and crowned with scrolls. Originally manufactured by the American Radiator Company, circa 1880, this magnificent cast iron radiator is often found in churches, due to its distinctive and unusual Celtic design. The Piccadilly cast iron radiator lends itself to our hand-painted highlight effect or our antiqued paint options. The Piccadilly is a stunning complement to both modern and period homes.

HEIGHT (Please select your required height to view heat output and specifications)

460 660 760



CODE/ SECTIONS	LENGTH	OUTPUT				WEIGHT (KG)	WATER CONTENT (LTRs)
		Dt60		Dt50			
		BTUs	WATTS	BTUs	WATTS		
PIC-460-03	249	917	269	724	212	19	4.13
PIC-460-04	320	1223	358	965	283	25	5.50
PIC-460-05	392	1529	448	1207	354	32	6.88
PIC-460-06	463	1835	538	1448	424	38	8.25
PIC-460-07	535	2140	627	1689	495	44	9.63
PIC-460-08	606	2446	717	1931	566	51	11.00
PIC-460-09	678	2752	807	2172	637	57	12.38
PIC-460-10	749	3058	896	2413	707	63	13.75
PIC-460-11	821	3363	986	2655	778	70	15.13
PIC-460-12	892	3669	1075	2896	849	76	16.50
PIC-460-13	964	3975	1165	3137	919	82	17.88
PIC-460-14	1035	4281	1255	3379	990	89	19.25
PIC-460-15	1107	4586	1344	3620	1061	95	20.63
PIC-460-16	1178	4892	1434	3861	1132	101	22.00
PIC-460-17	1250	5198	1523	4103	1202	108	23.38
PIC-460-18	1321	5504	1613	4344	1273	114	24.75
PIC-460-19	1393	5810	1703	4585	1344	121	26.13
PIC-460-20	1464	6115	1792	4827	1415	127	27.50
PIC-460-21	1536	6421	1882	5068	1485	133	28.88
PIC-460-22	1607	6727	1972	5309	1556	140	30.25
PIC-460-23	1679	7033	2061	5551	1627	146	31.63
PIC-460-24	1750	7338	2151	5792	1698	152	33.00
PIC-460-25	1822	7644	2240	6033	1768	159	34.38
PIC-460-26	1893	7950	2330	6275	1839	165	35.75
PIC-460-27	1965	8256	2420	6516	1910	171	37.13
PIC-460-28	2036	8561	2509	6757	1980	178	38.50
PIC-460-29	2108	8867	2599	6999	2051	184	39.88
PIC-460-30	2179	9173	2688	7240	2122	190	41.25
PIC-460-31	2251	9479	2778	7481	2193	197	42.63
PIC-460-32	2322	9785	2868	7723	2263	203	44.00
PIC-460-33	2394	10090	2957	7964	2334	209	45.38
PIC-460-34	2465	10396	3047	8205	2405	216	46.75
PIC-460-35	2537	10702	3137	8447	2476	222	48.13
PIC-460-36	2608	11008	3226	8688	2546	228	49.50
PIC-460-37	2680	11313	3316	8929	2617	235	50.88
PIC-460-38	2751	11619	3405	9171	2688	241	52.25
PIC-460-39	2823	11925	3495	9412	2758	247	53.63
PIC-460-40	2894	12231	3585	9653	2829	254	55.00



01205 280354

sales@paladinradiators.com

www.paladinradiators.com

Paladin Radiators, Langrick Road,
New York, Lincolnshire LN4 4XH



Maximum test pressure = 3.3 bar | Maximum working pressure = 2.5 bar

Dt50 figures shown in accordance with BS EN442. We have, from experience, found that the Dt60 figures usually give adequate output without oversizing the radiators on standard heating systems. Maximum test pressure = 3.3 bar | Maximum working pressure = 2.5 bar. Lengths quoted are given in good faith. However, due to the nature of the manufacturing process tolerances can and should be expected. Quoted dimensions should therefore only be used as a guideline. Longer lengths are available on request.

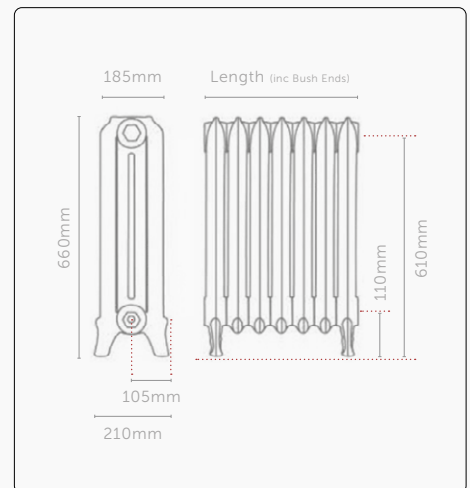
Piccadilly

A 19th-century Celtic masterpiece that stirs your emotions and oozes intrigue. The Piccadilly is a decorative cast iron radiator that flaunts flowing Celtic ribbons that are intertwined with leaves and crowned with scrolls. Originally manufactured by the American Radiator Company, circa 1880, this magnificent cast iron radiator is often found in churches, due to its distinctive and unusual Celtic design. The Piccadilly cast iron radiator lends itself to our hand-painted highlight effect or our antiqued paint options. The Piccadilly is a stunning complement to both modern and period homes.

HEIGHT (Please select your required height to view heat output and specifications)

460 **660** 760

CODE/ SECTIONS	LENGTH	OUTPUT				WEIGHT (KG)	WATER CONTENT (LTRs)
		Dt60		Dt50			
		BTUs	WATTS	BTUs	WATTS		
PIC-660-03	247	1332	390	1052	308	28	7.05
PIC-660-04	318	1776	521	1402	411	38	9.40
PIC-660-05	389	2221	651	1753	514	47	11.75
PIC-660-06	460	2665	781	2103	616	57	14.10
PIC-660-07	531	3109	911	2454	719	66	16.45
PIC-660-08	602	3553	1041	2804	822	75	18.80
PIC-660-09	673	3997	1171	3155	925	85	21.15
PIC-660-10	744	4441	1302	3505	1027	94	23.50
PIC-660-11	815	4885	1432	3856	1130	104	25.85
PIC-660-12	886	5329	1562	4206	1233	113	28.20
PIC-660-13	957	5773	1692	4557	1335	123	30.55
PIC-660-14	1028	6217	1822	4907	1438	132	32.90
PIC-660-15	1099	6662	1952	5258	1541	141	35.25
PIC-660-16	1170	7106	2083	5608	1644	151	37.60
PIC-660-17	1241	7550	2213	5959	1746	160	39.95
PIC-660-18	1312	7994	2343	6309	1849	170	42.30
PIC-660-19	1383	8438	2473	6660	1952	179	44.65
PIC-660-20	1454	8882	2603	7010	2055	188	47.00
PIC-660-21	1525	9326	2733	7361	2157	198	49.35
PIC-660-22	1596	9770	2863	7711	2260	207	51.70
PIC-660-23	1667	10214	2994	8062	2363	217	54.05
PIC-660-24	1738	10658	3124	8412	2466	226	56.40
PIC-660-25	1809	11103	3254	8763	2568	236	58.75
PIC-660-26	1880	11547	3384	9113	2671	245	61.10
PIC-660-27	1951	11991	3514	9464	2774	254	63.45
PIC-660-28	2022	12435	3644	9814	2876	264	65.80
PIC-660-29	2093	12879	3775	10165	2979	273	68.15
PIC-660-30	2164	13323	3905	10515	3082	283	70.50
PIC-660-31	2235	13767	4035	10866	3185	292	72.85
PIC-660-32	2306	14211	4165	11216	3287	301	75.20
PIC-660-33	2377	14655	4295	11567	3390	311	77.55
PIC-660-34	2448	15099	4425	11918	3493	320	79.90
PIC-660-35	2519	15544	4556	12268	3596	330	82.25
PIC-660-36	2590	15988	4686	12619	3698	339	84.60
PIC-660-37	2661	16432	4816	12969	3801	349	86.95
PIC-660-38	2732	16876	4946	13320	3904	358	89.30
PIC-660-39	2803	17320	5076	13670	4006	367	91.65
PIC-660-40	2874	17764	5206	14021	4109	377	94.00



01205 280354

sales@paladinradiators.com

www.paladinradiators.com

Paladin Radiators, Langrick Road,
New York, Lincolnshire LN4 4XH



Maximum test pressure = 3.3 bar | Maximum working pressure = 2.5 bar

Dt50 figures shown in accordance with BS EN442. We have, from experience, found that the Dt60 figures usually give adequate output without oversizing the radiators on standard heating systems. Maximum test pressure = 3.3 bar | Maximum working pressure = 2.5 bar. Lengths quoted are given in good faith. However, due to the nature of the manufacturing process tolerances can and should be expected. Quoted dimensions should therefore only be used as a guideline. Longer lengths are available on request.

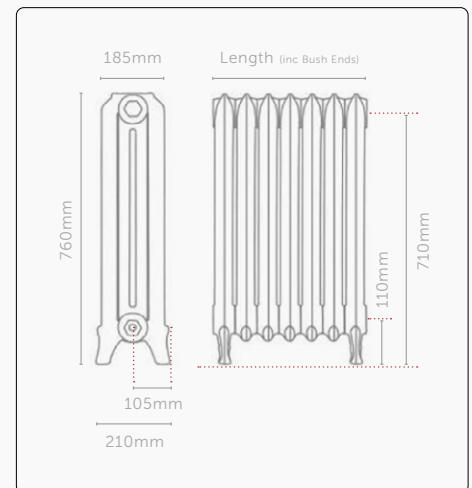
Piccadilly

A 19th-century Celtic masterpiece that stirs your emotions and oozes intrigue. The Piccadilly is a decorative cast iron radiator that flaunts flowing Celtic ribbons that are intertwined with leaves and crowned with scrolls. Originally manufactured by the American Radiator Company, circa 1880, this magnificent cast iron radiator is often found in churches, due to its distinctive and unusual Celtic design. The Piccadilly cast iron radiator lends itself to our hand-painted highlight effect or our antiqued paint options. The Piccadilly is a stunning complement to both modern and period homes.

HEIGHT (Please select your required height to view heat output and specifications)

460 660 **760**

CODE/ SECTIONS	LENGTH	OUTPUT				WEIGHT (KG)	WATER CONTENT (LTRs)
		Dt60		Dt50			
		BTUs	WATTS	BTUs	WATTS		
PIC-760-03	247	1496	438	1181	346	31	7.20
PIC-760-04	318	1995	585	1574	461	41	9.60
PIC-760-05	389	2494	731	1968	577	52	12.00
PIC-760-06	460	2992	877	2362	692	62	14.40
PIC-760-07	531	3491	1023	2755	808	72	16.80
PIC-760-08	602	3990	1169	3149	923	83	19.20
PIC-760-09	673	4488	1315	3542	1038	93	21.60
PIC-760-10	744	4987	1462	3936	1154	103	24.00
PIC-760-11	815	5486	1608	4330	1269	114	26.40
PIC-760-12	886	5984	1754	4723	1384	124	28.80
PIC-760-13	957	6483	1900	5117	1500	134	31.20
PIC-760-14	1028	6982	2046	5511	1615	145	33.60
PIC-760-15	1099	7481	2192	5904	1730	155	36.00
PIC-760-16	1170	7979	2339	6298	1846	165	38.40
PIC-760-17	1241	8478	2485	6691	1961	175	40.80
PIC-760-18	1312	8977	2631	7085	2076	186	43.20
PIC-760-19	1383	9475	2777	7479	2192	196	45.60
PIC-760-20	1454	9974	2923	7872	2307	206	48.00
PIC-760-21	1525	10473	3069	8266	2423	217	50.40
PIC-760-22	1596	10971	3216	8659	2538	227	52.80
PIC-760-23	1667	11470	3362	9053	2653	237	55.20
PIC-760-24	1738	11969	3508	9447	2769	248	57.60
PIC-760-25	1809	12468	3654	9840	2884	258	60.00
PIC-760-26	1880	12966	3800	10234	2999	268	62.40
PIC-760-27	1951	13465	3946	10627	3115	279	64.80
PIC-760-28	2022	13964	4093	11021	3230	289	67.20
PIC-760-29	2093	14462	4239	11415	3345	299	69.60
PIC-760-30	2164	14961	4385	11808	3461	310	72.00
PIC-760-31	2235	15460	4531	12202	3576	320	74.40
PIC-760-32	2306	15958	4677	12595	3692	330	76.80
PIC-760-33	2377	16457	4823	12989	3807	341	79.20
PIC-760-34	2448	16956	4969	13383	3922	351	81.60
PIC-760-35	2519	17455	5116	13776	4038	361	84.00
PIC-760-36	2590	17953	5262	14170	4153	372	86.40
PIC-760-37	2661	18452	5408	14564	4268	382	88.80
PIC-760-38	2732	18951	5554	14957	4384	392	91.20
PIC-760-39	2803	19449	5700	15351	4499	403	93.60
PIC-760-40	2874	19948	5846	15744	4614	413	96.00



01205 280354

sales@paladinradiators.com

www.paladinradiators.com

Paladin Radiators, Langrick Road,
New York, Lincolnshire LN4 4XH



Maximum test pressure = 3.3 bar | Maximum working pressure = 2.5 bar

Dt50 figures shown in accordance with BS EN442. We have, from experience, found that the Dt60 figures usually give adequate output without oversizing the radiators on standard heating systems. Maximum test pressure = 3.3 bar | Maximum working pressure = 2.5 bar. Lengths quoted are given in good faith. However, due to the nature of the manufacturing process tolerances can and should be expected. Quoted dimensions should therefore only be used as a guideline. Longer lengths are available on request.