

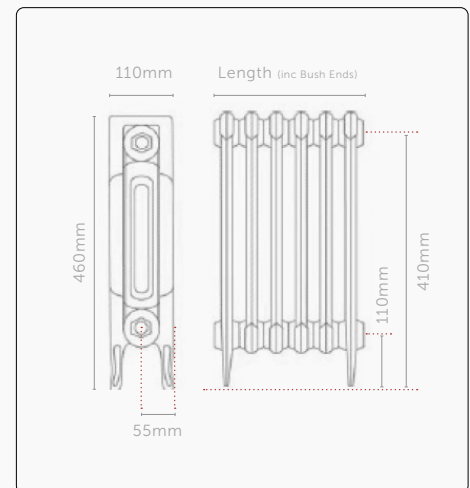
Pimlico

Royal in its roots, slim and elegant in its style, meet the Pimlico, a favourite of the Edwardians. First produced in the late Victorian era, and popular in later Edwardian homes, the Pimlico cast iron radiator is also known as the "Duchess Radiator". This slim line beauty is perfect for smaller rooms, having only 2 columns and a 100mm depth. The Pimlico is the perfect choice for a traditional quaint cottage as well as a great choice for a modern day bathroom.

HEIGHT (Please select your required height to view heat output and specifications)

460 660 760

CODE/ SECTIONS	LENGTH	OUTPUT				WEIGHT (KG)	WATER CONTENT (LTRs)
		Dt60		Dt50			
		BTUs	WATTS	BTUs	WATTS		
PIM-460-03	216	574	168	453	133	9	2.10
PIM-460-04	276	765	224	604	177	12	2.80
PIM-460-05	337	956	280	755	221	15	3.50
PIM-460-06	398	1147	336	905	265	18	4.20
PIM-460-07	458	1338	392	1056	310	21	4.90
PIM-460-08	519	1530	448	1207	354	25	5.60
PIM-460-09	579	1721	504	1358	398	28	6.30
PIM-460-10	640	1912	560	1509	442	31	7.00
PIM-460-11	701	2103	616	1660	487	34	7.70
PIM-460-12	761	2294	672	1811	531	37	8.40
PIM-460-13	822	2486	729	1962	575	40	9.10
PIM-460-14	882	2677	785	2113	619	43	9.80
PIM-460-15	943	2868	841	2264	663	46	10.50
PIM-460-16	1004	3059	897	2415	708	49	11.20
PIM-460-17	1064	3251	953	2566	752	52	11.90
PIM-460-18	1125	3442	1009	2716	796	55	12.60
PIM-460-19	1185	3633	1065	2867	840	58	13.30
PIM-460-20	1246	3824	1121	3018	885	61	14.00
PIM-460-21	1307	4015	1177	3169	929	64	14.70
PIM-460-22	1367	4207	1233	3320	973	67	15.40
PIM-460-23	1428	4398	1289	3471	1017	70	16.10
PIM-460-24	1488	4589	1345	3622	1062	73	16.80
PIM-460-25	1549	4780	1401	3773	1106	77	17.50
PIM-460-26	1610	4971	1457	3924	1150	80	18.20
PIM-460-27	1670	5163	1513	4075	1194	83	18.90
PIM-460-28	1731	5354	1569	4226	1238	86	19.60
PIM-460-29	1791	5545	1625	4376	1283	89	20.30
PIM-460-30	1852	5736	1681	4527	1327	92	21.00
PIM-460-31	1913	5927	1737	4678	1371	95	21.70
PIM-460-32	1973	6119	1793	4829	1415	98	22.40
PIM-460-33	2034	6310	1849	4980	1460	101	23.10
PIM-460-34	2094	6501	1905	5131	1504	104	23.80
PIM-460-35	2155	6692	1961	5282	1548	107	24.50
PIM-460-36	2216	6883	2017	5433	1592	110	25.20
PIM-460-37	2276	7075	2073	5584	1637	113	25.90
PIM-460-38	2337	7266	2129	5735	1681	116	26.60
PIM-460-39	2397	7457	2186	5886	1725	119	27.30
PIM-460-40	2458	7648	2242	6037	1769	122	28.00



01205 280354

sales@paladinradiators.com

www.paladinradiators.com

Paladin Radiators, Langrick Road,
New York, Lincolnshire LN4 4XH



Maximum test pressure = 3.3 bar | Maximum working pressure = 2.5 bar

Dt50 figures shown in accordance with BS EN442. We have, from experience, found that the Dt60 figures usually give adequate output without oversizing the radiators on standard heating systems. Maximum test pressure = 3.3 bar | Maximum working pressure = 2.5 bar. Lengths quoted are given in good faith. However, due to the nature of the manufacturing process tolerances can and should be expected. Quoted dimensions should therefore only be used as a guideline. Longer lengths are available on request.

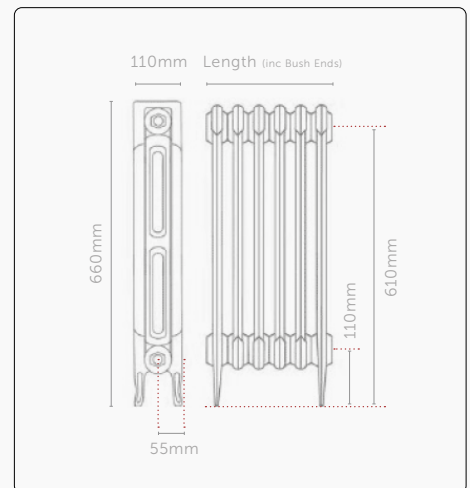
Pimlico

Royal in its roots, slim and elegant in its style, meet the Pimlico, a favourite of the Edwardians. First produced in the late Victorian era, and popular in later Edwardian homes, the Pimlico cast iron radiator is also known as the "Duchess Radiator". This slim line beauty is perfect for smaller rooms, having only 2 columns and a 100mm depth. The Pimlico is the perfect choice for a traditional quaint cottage as well as a great choice for a modern day bathroom.

HEIGHT (Please select your required height to view heat output and specifications)

460 **660** 760

CODE/ SECTIONS	LENGTH	OUTPUT				WEIGHT (KG)	WATER CONTENT (LTRs)
		Dt60		Dt50			
		BTUs	WATTS	BTUs	WATTS		
PIM-660-03	218	839	246	662	194	13	3.00
PIM-660-04	279	1119	328	883	259	17	4.00
PIM-660-05	341	1398	410	1104	323	22	5.00
PIM-660-06	402	1678	492	1324	388	26	6.00
PIM-660-07	463	1958	574	1545	453	30	7.00
PIM-660-08	524	2237	656	1766	518	35	8.00
PIM-660-09	586	2517	738	1987	582	39	9.00
PIM-660-10	647	2797	820	2207	647	43	10.00
PIM-660-11	708	3076	902	2428	712	48	11.00
PIM-660-12	770	3356	984	2649	776	52	12.00
PIM-660-13	831	3636	1066	2869	841	56	13.00
PIM-660-14	892	3915	1147	3090	906	61	14.00
PIM-660-15	954	4195	1229	3311	970	65	15.00
PIM-660-16	1015	4474	1311	3532	1035	69	16.00
PIM-660-17	1076	4754	1393	3752	1100	73	17.00
PIM-660-18	1137	5034	1475	3973	1164	78	18.00
PIM-660-19	1199	5313	1557	4194	1229	82	19.00
PIM-660-20	1260	5593	1639	4414	1294	86	20.00
PIM-660-21	1321	5873	1721	4635	1358	91	21.00
PIM-660-22	1383	6152	1803	4856	1423	95	22.00
PIM-660-23	1444	6432	1885	5077	1488	99	23.00
PIM-660-24	1505	6712	1967	5297	1553	104	24.00
PIM-660-25	1567	6991	2049	5518	1617	108	25.00
PIM-660-26	1628	7271	2131	5739	1682	112	26.00
PIM-660-27	1689	7551	2213	5960	1747	117	27.00
PIM-660-28	1750	7830	2295	6180	1811	121	28.00
PIM-660-29	1812	8110	2377	6401	1876	125	29.00
PIM-660-30	1873	8390	2459	6622	1941	130	30.00
PIM-660-31	1934	8669	2541	6842	2005	134	31.00
PIM-660-32	1996	8949	2623	7063	2070	138	32.00
PIM-660-33	2057	9229	2705	7284	2135	143	33.00
PIM-660-34	2118	9508	2787	7505	2199	147	34.00
PIM-660-35	2180	9788	2869	7725	2264	151	35.00
PIM-660-36	2241	10068	2951	7946	2329	156	36.00
PIM-660-37	2302	10347	3033	8167	2394	160	37.00
PIM-660-38	2363	10627	3115	8387	2458	164	38.00
PIM-660-39	2425	10907	3197	8608	2523	169	39.00
PIM-660-40	2486	11186	3278	8829	2588	173	40.00



01205 280354

sales@paladinradiators.com

www.paladinradiators.com

Paladin Radiators, Langrick Road,
New York, Lincolnshire LN4 4XH



Maximum test pressure = 3.3 bar | Maximum working pressure = 2.5 bar

Dt50 figures shown in accordance with BS EN442. We have, from experience, found that the Dt60 figures usually give adequate output without oversizing the radiators on standard heating systems. Maximum test pressure = 3.3 bar | Maximum working pressure = 2.5 bar. Lengths quoted are given in good faith. However, due to the nature of the manufacturing process tolerances can and should be expected. Quoted dimensions should therefore only be used as a guideline. Longer lengths are available on request.

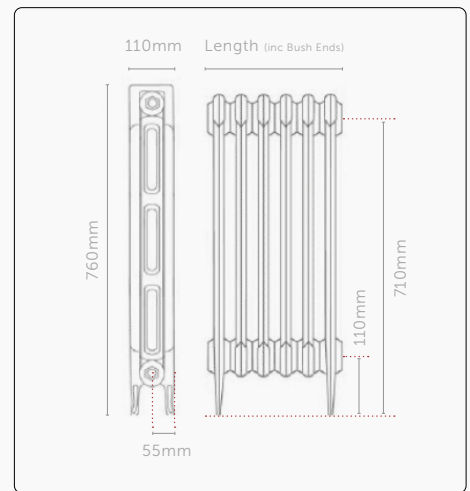
Pimlico

Royal in its roots, slim and elegant in its style, meet the Pimlico, a favourite of the Edwardians. First produced in the late Victorian era, and popular in later Edwardian homes, the Pimlico cast iron radiator is also known as the "Duchess Radiator". This slim line beauty is perfect for smaller rooms, having only 2 columns and a 100mm depth. The Pimlico is the perfect choice for a traditional quaint cottage as well as a great choice for a modern day bathroom.

HEIGHT (Please select your required height to view heat output and specifications)

460 660 **760**

CODE/ SECTIONS	LENGTH	OUTPUT				WEIGHT (KG)	WATER CONTENT (LTRs)
		Dt60		Dt50			
		BTUs	WATTS	BTUs	WATTS		
PIM-760-03	220	967	283	763	224	15	3.30
PIM-760-04	282	1289	378	1017	298	20	4.40
PIM-760-05	344	1611	472	1272	373	25	5.50
PIM-760-06	405	1933	567	1526	447	31	6.60
PIM-760-07	467	2256	661	1780	522	36	7.70
PIM-760-08	529	2578	756	2035	596	41	8.80
PIM-760-09	591	2900	850	2289	671	46	9.90
PIM-760-10	653	3222	944	2543	745	51	11.00
PIM-760-11	715	3545	1039	2798	820	56	12.10
PIM-760-12	777	3867	1133	3052	894	61	13.20
PIM-760-13	839	4189	1228	3306	969	66	14.30
PIM-760-14	901	4511	1322	3561	1044	71	15.40
PIM-760-15	963	4834	1417	3815	1118	76	16.50
PIM-760-16	1024	5156	1511	4069	1193	81	17.60
PIM-760-17	1086	5478	1606	4324	1267	86	18.70
PIM-760-18	1148	5800	1700	4578	1342	91	19.80
PIM-760-19	1210	6122	1794	4832	1416	97	20.90
PIM-760-20	1272	6445	1889	5087	1491	102	22.00
PIM-760-21	1334	6767	1983	5341	1565	107	23.10
PIM-760-22	1396	7089	2078	5595	1640	112	24.20
PIM-760-23	1458	7411	2172	5850	1714	117	25.30
PIM-760-24	1520	7734	2267	6104	1789	122	26.40
PIM-760-25	1582	8056	2361	6358	1864	127	27.50
PIM-760-26	1643	8378	2455	6613	1938	132	28.60
PIM-760-27	1705	8700	2550	6867	2013	137	29.70
PIM-760-28	1767	9023	2644	7121	2087	142	30.80
PIM-760-29	1829	9345	2739	7376	2162	147	31.90
PIM-760-30	1891	9667	2833	7630	2236	152	33.00
PIM-760-31	1953	9989	2928	7884	2311	158	34.10
PIM-760-32	2015	10312	3022	8139	2385	163	35.20
PIM-760-33	2077	10634	3117	8393	2460	168	36.30
PIM-760-34	2139	10956	3211	8647	2534	173	37.40
PIM-760-35	2201	11278	3305	8902	2609	178	38.50
PIM-760-36	2262	11601	3400	9156	2683	183	39.60
PIM-760-37	2324	11923	3494	9410	2758	188	40.70
PIM-760-38	2386	12245	3589	9665	2833	193	41.80
PIM-760-39	2448	12567	3683	9919	2907	198	42.90
PIM-760-40	2510	12889	3778	10173	2982	203	44.00



01205 280354

sales@paladinradiators.com

www.paladinradiators.com

Paladin Radiators, Langrick Road,
New York, Lincolnshire LN4 4XH



Maximum test pressure = 3.3 bar | Maximum working pressure = 2.5 bar

Dt50 figures shown in accordance with BS EN442. We have, from experience, found that the Dt60 figures usually give adequate output without oversizing the radiators on standard heating systems. Maximum test pressure = 3.3 bar | Maximum working pressure = 2.5 bar. Lengths quoted are given in good faith. However, due to the nature of the manufacturing process tolerances can and should be expected. Quoted dimensions should therefore only be used as a guideline. Longer lengths are available on request.