

# Shaftsbury

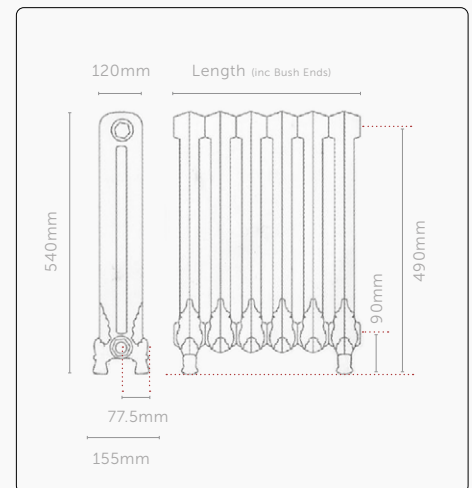
A Ballet inspired beauty, the Shaftsbury performs its own show with its grace and elegance. The Shaftsbury cast iron radiator is a stunning example of ornate design and intricate detail. The swirls and waves of etched beauty make it the ideal cast iron radiator for an antiqued, hand-painted or polished finish. The Shaftsbury originates from a London Ballet School, in the Victorian era, which gives rise to its delightful decadence. Distinctive and beautiful, the Shaftsbury cast iron radiator is the perfect choice for a traditional setting.



**HEIGHT** (Please select your required height to view heat output and specifications)

**540**   740

CODE/ SECTIONS	LENGTH	OUTPUT				WEIGHT (KG)	WATER CONTENT (LTRs)
		Dt60		Dt50			
		BTUs	WATTS	BTUs	WATTS		
SHAF-540-03	313	1045	306	825	242	21	3.60
SHAF-540-04	406	1394	408	1100	322	28	4.80
SHAF-540-05	499	1742	511	1375	403	36	6.00
SHAF-540-06	591	2091	613	1650	484	43	7.20
SHAF-540-07	684	2439	715	1925	564	50	8.40
SHAF-540-08	777	2787	817	2200	645	57	9.60
SHAF-540-09	870	3136	919	2475	725	64	10.80
SHAF-540-10	963	3484	1021	2750	806	71	12.00
SHAF-540-11	1056	3833	1123	3025	887	78	13.20
SHAF-540-12	1149	4181	1225	3300	967	85	14.40
SHAF-540-13	1242	4530	1328	3575	1048	92	15.60
SHAF-540-14	1335	4878	1430	3850	1128	99	16.80
SHAF-540-15	1428	5227	1532	4125	1209	107	18.00
SHAF-540-16	1520	5575	1634	4400	1290	114	19.20
SHAF-540-17	1613	5923	1736	4675	1370	121	20.40
SHAF-540-18	1706	6272	1838	4950	1451	128	21.60
SHAF-540-19	1799	6620	1940	5225	1531	135	22.80
SHAF-540-20	1892	6969	2042	5500	1612	142	24.00
SHAF-540-21	1985	7317	2145	5775	1693	149	25.20
SHAF-540-22	2078	7666	2247	6050	1773	156	26.40
SHAF-540-23	2171	8014	2349	6325	1854	163	27.60
SHAF-540-24	2264	8362	2451	6600	1934	170	28.80
SHAF-540-25	2357	8711	2553	6875	2015	178	30.00
SHAF-540-26	2449	9059	2655	7150	2096	185	31.20
SHAF-540-27	2542	9408	2757	7425	2176	192	32.40
SHAF-540-28	2635	9756	2859	7700	2257	199	33.60
SHAF-540-29	2728	10105	2961	7975	2337	206	34.80
SHAF-540-30	2821	10453	3064	8250	2418	213	36.00
SHAF-540-31	2914	10801	3166	8525	2499	220	37.20
SHAF-540-32	3007	11150	3268	8800	2579	227	38.40
SHAF-540-33	3100	11498	3370	9075	2660	234	39.60
SHAF-540-34	3193	11847	3472	9350	2740	241	40.80
SHAF-540-35	3286	12195	3574	9625	2821	249	42.00
SHAF-540-36	3378	12544	3676	9900	2902	256	43.20
SHAF-540-37	3471	12892	3778	10175	2982	263	44.40
SHAF-540-38	3564	13240	3881	10450	3063	270	45.60
SHAF-540-39	3657	13589	3983	10725	3143	277	46.80
SHAF-540-40	3750	13937	4085	11000	3224	284	48.00



01205 280354

sales@paladinradiators.com

www.paladinradiators.com

Paladin Radiators, Langrick Road,  
New York, Lincolnshire LN4 4XH



Maximum test pressure = 3.3 bar | Maximum working pressure = 2.5 bar

Dt50 figures shown in accordance with BS EN442. We have, from experience, found that the Dt60 figures usually give adequate output without oversizing the radiators on standard heating systems. Maximum test pressure = 3.3 bar | Maximum working pressure = 2.5 bar. Lengths quoted are given in good faith. However, due to the nature of the manufacturing process tolerances can and should be expected. Quoted dimensions should therefore only be used as a guideline. Longer lengths are available on request.

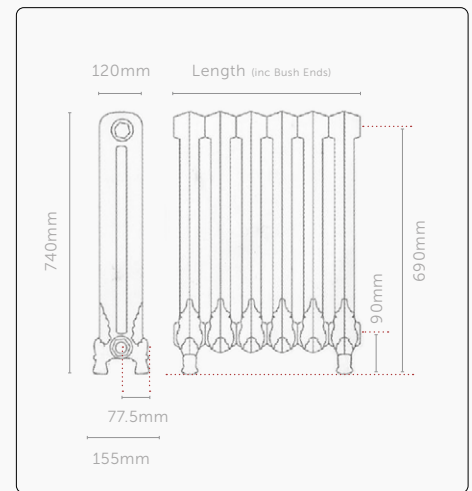
# Shaftsbury

A Ballet inspired beauty, the Shaftsbury performs its own show with its grace and elegance. The Shaftsbury cast iron radiator is a stunning example of ornate design and intricate detail. The swirls and waves of etched beauty make it the ideal cast iron radiator for an antiqued, hand-painted or polished finish. The Shaftsbury originates from a London Ballet School, in the Victorian era, which gives rise to its delightful decadence. Distinctive and beautiful, the Shaftsbury cast iron radiator is the perfect choice for a traditional setting.

**HEIGHT** (Please select your required height to view heat output and specifications)

540 **740**

CODE/ SECTIONS	LENGTH	OUTPUT				WEIGHT (KG)	WATER CONTENT (LTRs)
		Dt60		Dt50			
		BTUs	WATTS	BTUs	WATTS		
SHAF-740-03	313	1441	422	1137	333	28	4.50
SHAF-740-04	406	1921	563	1516	444	38	6.00
SHAF-740-05	499	2401	704	1895	556	47	7.50
SHAF-740-06	591	2882	845	2274	667	57	9.00
SHAF-740-07	684	3362	985	2654	778	66	10.50
SHAF-740-08	777	3842	1126	3033	889	76	12.00
SHAF-740-09	870	4323	1267	3412	1000	85	13.50
SHAF-740-10	963	4803	1408	3791	1111	94	15.00
SHAF-740-11	1056	5283	1548	4170	1222	104	16.50
SHAF-740-12	1149	5763	1689	4549	1333	113	18.00
SHAF-740-13	1242	6244	1830	4928	1444	123	19.50
SHAF-740-14	1335	6724	1971	5307	1555	132	21.00
SHAF-740-15	1428	7204	2111	5686	1667	142	22.50
SHAF-740-16	1520	7685	2252	6065	1778	151	24.00
SHAF-740-17	1613	8165	2393	6444	1889	161	25.50
SHAF-740-18	1706	8645	2534	6823	2000	170	27.00
SHAF-740-19	1799	9125	2675	7202	2111	179	28.50
SHAF-740-20	1892	9606	2815	7581	2222	189	30.00
SHAF-740-21	1985	10086	2956	7961	2333	198	31.50
SHAF-740-22	2078	10566	3097	8340	2444	208	33.00
SHAF-740-23	2171	11047	3238	8719	2555	217	34.50
SHAF-740-24	2264	11527	3378	9098	2666	227	36.00
SHAF-740-25	2357	12007	3519	9477	2778	236	37.50
SHAF-740-26	2449	12487	3660	9856	2889	245	39.00
SHAF-740-27	2542	12968	3801	10235	3000	255	40.50
SHAF-740-28	2635	13448	3941	10614	3111	264	42.00
SHAF-740-29	2728	13928	4082	10993	3222	274	43.50
SHAF-740-30	2821	14409	4223	11372	3333	283	45.00
SHAF-740-31	2914	14889	4364	11751	3444	293	46.50
SHAF-740-32	3007	15369	4504	12130	3555	302	48.00
SHAF-740-33	3100	15849	4645	12509	3666	312	49.50
SHAF-740-34	3193	16330	4786	12888	3777	321	51.00
SHAF-740-35	3286	16810	4927	13268	3889	330	52.50
SHAF-740-36	3378	17290	5067	13647	4000	340	54.00
SHAF-740-37	3471	17771	5208	14026	4111	349	55.50
SHAF-740-38	3564	18251	5349	14405	4222	359	57.00
SHAF-740-39	3657	18731	5490	14784	4333	368	58.50
SHAF-740-40	3750	19211	5631	15163	4444	378	60.00



01205 280354

sales@paladinradiators.com

www.paladinradiators.com

Paladin Radiators, Langrick Road,  
New York, Lincolnshire LN4 4XH



Maximum test pressure = 3.3 bar | Maximum working pressure = 2.5 bar

Dt50 figures shown in accordance with BS EN442. We have, from experience, found that the Dt60 figures usually give adequate output without oversizing the radiators on standard heating systems. Maximum test pressure = 3.3 bar | Maximum working pressure = 2.5 bar. Lengths quoted are given in good faith. However, due to the nature of the manufacturing process tolerances can and should be expected. Quoted dimensions should therefore only be used as a guideline. Longer lengths are available on request.