

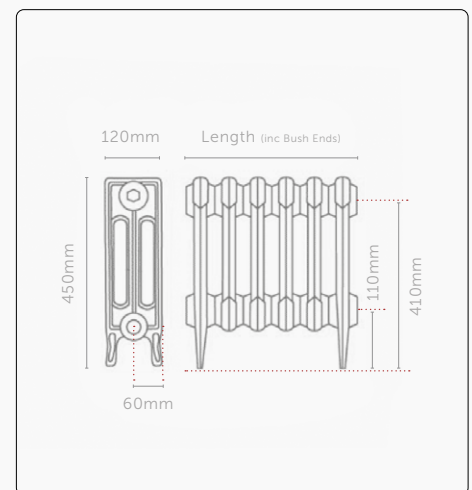
Victoriana

When history should repeat itself, meet the Victoriana – a 19th-century masterpiece. The Victoriana design reins from America in the 1880's. Beautifully simplistic, the Victoriana design could be found in buildings during the late Victorian era. This simple, yet elegant style has been judiciously recreated by Paladin to offer an authentic, traditional cast iron radiator to suit both modern and period homes.

COLUMNS **HEIGHT** (Please select your required height to view heat output and specifications)

3 **4** **450** 645 745

CODE/ SECTIONS	LENGTH	OUTPUT				WEIGHT (KG)	WATER CONTENT (LTRs)
		Dt60		Dt50			
		BTUs	WATTS	BTUs	WATTS		
VIC3-450-03	215	652	191	515	151	10	1.65
VIC3-450-04	275	870	255	686	201	13	2.20
VIC3-450-05	335	1087	319	858	252	16	2.75
VIC3-450-06	395	1305	382	1030	302	19	3.30
VIC3-450-07	455	1522	446	1201	352	22	3.85
VIC3-450-08	516	1740	510	1373	402	25	4.40
VIC3-450-09	576	1957	574	1545	453	29	4.95
VIC3-450-10	636	2174	637	1716	503	32	5.50
VIC3-450-11	696	2392	701	1888	553	35	6.05
VIC3-450-12	756	2609	765	2059	604	38	6.60
VIC3-450-13	817	2827	828	2231	654	41	7.15
VIC3-450-14	877	3044	892	2403	704	45	7.70
VIC3-450-15	937	3262	956	2574	755	48	8.25
VIC3-450-16	997	3479	1020	2746	805	51	8.80
VIC3-450-17	1057	3697	1083	2918	855	54	9.35
VIC3-450-18	1118	3914	1147	3089	905	57	9.90
VIC3-450-19	1178	4131	1211	3261	956	60	10.45
VIC3-450-20	1238	4349	1275	3432	1006	64	11.00
VIC3-450-21	1298	4566	1338	3604	1056	67	11.55
VIC3-450-22	1358	4784	1402	3776	1107	70	12.10
VIC3-450-23	1419	5001	1466	3947	1157	73	12.65
VIC3-450-24	1479	5219	1530	4119	1207	76	13.20
VIC3-450-25	1539	5436	1593	4291	1258	80	13.75
VIC3-450-26	1599	5654	1657	4462	1308	83	14.30
VIC3-450-27	1659	5871	1721	4634	1358	86	14.85
VIC3-450-28	1720	6089	1784	4805	1408	89	15.40
VIC3-450-29	1780	6306	1848	4977	1459	92	15.95
VIC3-450-30	1840	6523	1912	5149	1509	95	16.50
VIC3-450-31	1900	6741	1976	5320	1559	99	17.05
VIC3-450-32	1960	6958	2039	5492	1610	102	17.60
VIC3-450-33	2021	7176	2103	5664	1660	105	18.15
VIC3-450-34	2081	7393	2167	5835	1710	108	18.70
VIC3-450-35	2141	7611	2231	6007	1761	111	19.25
VIC3-450-36	2201	7828	2294	6178	1811	115	19.80
VIC3-450-37	2261	8046	2358	6350	1861	118	20.35
VIC3-450-38	2322	8263	2422	6522	1911	121	20.90
VIC3-450-39	2382	8480	2485	6693	1962	124	21.45
VIC3-450-40	2442	8698	2549	6865	2012	127	22.00



01205 280354

sales@paladinradiators.com

www.paladinradiators.com

Paladin Radiators, Langrick Road,
New York, Lincolnshire LN4 4XH



Maximum test pressure = 3.3 bar | Maximum working pressure = 2.5 bar

Dt50 figures shown in accordance with BS EN442. We have, from experience, found that the Dt60 figures usually give adequate output without oversizing the radiators on standard heating systems. Maximum test pressure = 3.3 bar | Maximum working pressure = 2.5 bar. Lengths quoted are given in good faith. However, due to the nature of the manufacturing process tolerances can and should be expected. Quoted dimensions should therefore only be used as a guideline. Longer lengths are available on request.

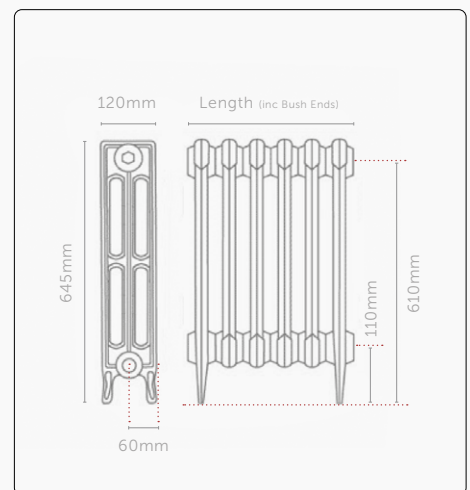
Victoriana

When history should repeat itself, meet the Victoriana – a 19th-century masterpiece. The Victoriana design reins from America in the 1880's. Beautifully simplistic, the Victoriana design could be found in buildings during the late Victorian era. This simple, yet elegant style has been judiciously recreated by Paladin to offer an authentic, traditional cast iron radiator to suit both modern and period homes.

COLUMNS **HEIGHT** (Please select your required height to view heat output and specifications)

3 **4** 450 **645** 745

CODE/ SECTIONS	LENGTH	OUTPUT				WEIGHT (KG)	WATER CONTENT (LTRs)
		Dt60		Dt50			
		BTUs	WATTS	BTUs	WATTS		
VIC3-645-03	215	983	288	776	227	14	2.85
VIC3-645-04	276	1311	384	1035	303	19	3.80
VIC3-645-05	336	1638	480	1293	379	23	4.75
VIC3-645-06	396	1966	576	1552	455	28	5.70
VIC3-645-07	457	2294	672	1810	531	33	6.65
VIC3-645-08	517	2621	768	2069	606	37	7.60
VIC3-645-09	578	2949	864	2328	682	42	8.55
VIC3-645-10	638	3277	960	2586	758	47	9.50
VIC3-645-11	698	3605	1056	2845	834	51	10.45
VIC3-645-12	759	3932	1152	3104	910	56	11.40
VIC3-645-13	819	4260	1249	3362	985	61	12.35
VIC3-645-14	880	4588	1345	3621	1061	65	13.30
VIC3-645-15	940	4915	1441	3879	1137	70	14.25
VIC3-645-16	1000	5243	1537	4138	1213	75	15.20
VIC3-645-17	1061	5571	1633	4397	1289	79	16.15
VIC3-645-18	1121	5898	1729	4655	1364	84	17.10
VIC3-645-19	1182	6226	1825	4914	1440	89	18.05
VIC3-645-20	1242	6554	1921	5173	1516	93	19.00
VIC3-645-21	1302	6881	2017	5431	1592	98	19.95
VIC3-645-22	1363	7209	2113	5690	1668	103	20.90
VIC3-645-23	1423	7537	2209	5948	1743	107	21.85
VIC3-645-24	1484	7864	2305	6207	1819	112	22.80
VIC3-645-25	1544	8192	2401	6466	1895	117	23.75
VIC3-645-26	1604	8520	2497	6724	1971	121	24.70
VIC3-645-27	1665	8847	2593	6983	2047	126	25.65
VIC3-645-28	1725	9175	2689	7242	2122	131	26.60
VIC3-645-29	1786	9503	2785	7500	2198	135	27.55
VIC3-645-30	1846	9831	2881	7759	2274	140	28.50
VIC3-645-31	1906	10158	2977	8018	2350	145	29.45
VIC3-645-32	1967	10486	3073	8276	2426	149	30.40
VIC3-645-33	2027	10814	3169	8535	2501	154	31.35
VIC3-645-34	2088	11141	3265	8793	2577	158	32.30
VIC3-645-35	2148	11469	3361	9052	2653	163	33.25
VIC3-645-36	2208	11797	3457	9311	2729	168	34.20
VIC3-645-37	2269	12124	3553	9569	2805	172	35.15
VIC3-645-38	2329	12452	3649	9828	2880	177	36.10
VIC3-645-39	2390	12780	3746	10087	2956	182	37.05
VIC3-645-40	2450	13107	3842	10345	3032	186	38.00



01205 280354

sales@paladinradiators.com

www.paladinradiators.com

Paladin Radiators, Langrick Road,
New York, Lincolnshire LN4 4XH



Maximum test pressure = 3.3 bar | Maximum working pressure = 2.5 bar

Dt50 figures shown in accordance with BS EN442. We have, from experience, found that the Dt60 figures usually give adequate output without oversizing the radiators on standard heating systems. Maximum test pressure = 3.3 bar | Maximum working pressure = 2.5 bar. Lengths quoted are given in good faith. However, due to the nature of the manufacturing process tolerances can and should be expected. Quoted dimensions should therefore only be used as a guideline. Longer lengths are available on request.

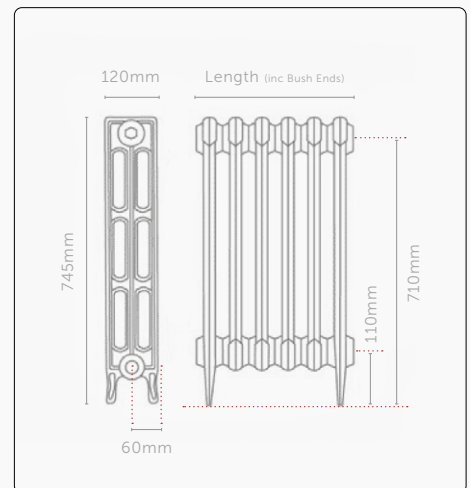
Victoriana

When history should repeat itself, meet the Victoriana – a 19th-century masterpiece. The Victoriana design reins from America in the 1880's. Beautifully simplistic, the Victoriana design could be found in buildings during the late Victorian era. This simple, yet elegant style has been judiciously recreated by Paladin to offer an authentic, traditional cast iron radiator to suit both modern and period homes.

COLUMNS **HEIGHT** (Please select your required height to view heat output and specifications)

3 **4** 450 645 **745**

CODE/ SECTIONS	LENGTH	OUTPUT				WEIGHT (KG)	WATER CONTENT (LTRs)
		Dt60		Dt50			
		BTUs	WATTS	BTUs	WATTS		
VIC3-745-03	218	1119	328	883	259	17	3.00
VIC3-745-04	280	1492	437	1178	345	22	4.00
VIC3-745-05	341	1865	547	1472	432	28	5.00
VIC3-745-06	402	2238	656	1767	518	34	6.00
VIC3-745-07	464	2612	765	2061	604	39	7.00
VIC3-745-08	525	2985	875	2356	690	45	8.00
VIC3-745-09	587	3358	984	2650	777	50	9.00
VIC3-745-10	648	3731	1093	2945	863	56	10.00
VIC3-745-11	709	4104	1203	3239	949	62	11.00
VIC3-745-12	771	4477	1312	3533	1036	67	12.00
VIC3-745-13	832	4850	1421	3828	1122	73	13.00
VIC3-745-14	894	5223	1531	4122	1208	78	14.00
VIC3-745-15	955	5596	1640	4417	1295	84	15.00
VIC3-745-16	1016	5969	1749	4711	1381	90	16.00
VIC3-745-17	1078	6342	1859	5006	1467	95	17.00
VIC3-745-18	1139	6715	1968	5300	1553	101	18.00
VIC3-745-19	1201	7088	2077	5595	1640	106	19.00
VIC3-745-20	1262	7462	2187	5889	1726	112	20.00
VIC3-745-21	1323	7835	2296	6184	1812	118	21.00
VIC3-745-22	1385	8208	2406	6478	1899	123	22.00
VIC3-745-23	1446	8581	2515	6772	1985	129	23.00
VIC3-745-24	1508	8954	2624	7067	2071	134	24.00
VIC3-745-25	1569	9327	2734	7361	2158	140	25.00
VIC3-745-26	1630	9700	2843	7656	2244	146	26.00
VIC3-745-27	1692	10073	2952	7950	2330	151	27.00
VIC3-745-28	1753	10446	3062	8245	2416	157	28.00
VIC3-745-29	1815	10819	3171	8539	2503	162	29.00
VIC3-745-30	1876	11192	3280	8834	2589	168	30.00
VIC3-745-31	1937	11565	3390	9128	2675	174	31.00
VIC3-745-32	1999	11938	3499	9423	2762	179	32.00
VIC3-745-33	2060	12311	3608	9717	2848	185	33.00
VIC3-745-34	2122	12685	3718	10011	2934	190	34.00
VIC3-745-35	2183	13058	3827	10306	3021	196	35.00
VIC3-745-36	2244	13431	3936	10600	3107	202	36.00
VIC3-745-37	2306	13804	4046	10895	3193	207	37.00
VIC3-745-38	2367	14177	4155	11189	3279	213	38.00
VIC3-745-39	2429	14550	4264	11484	3366	218	39.00
VIC3-745-40	2490	14923	4374	11778	3452	224	40.00



01205 280354

sales@paladinradiators.com

www.paladinradiators.com

Paladin Radiators, Langrick Road,
New York, Lincolnshire LN4 4XH



Maximum test pressure = 3.3 bar | Maximum working pressure = 2.5 bar

Dt50 figures shown in accordance with BS EN442. We have, from experience, found that the Dt60 figures usually give adequate output without oversizing the radiators on standard heating systems. Maximum test pressure = 3.3 bar | Maximum working pressure = 2.5 bar. Lengths quoted are given in good faith. However, due to the nature of the manufacturing process tolerances can and should be expected. Quoted dimensions should therefore only be used as a guideline. Longer lengths are available on request.

Victoriana

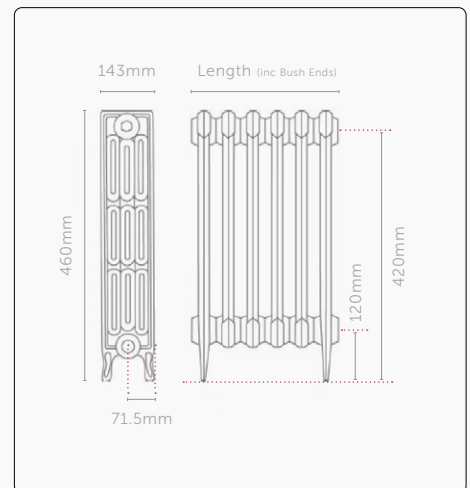
When history should repeat itself, meet the Victoriana – a 19th-century masterpiece. The Victoriana design reins from America in the 1880's. Beautifully simplistic, the Victoriana design could be found in buildings during the late Victorian era. This simple, yet elegant style has been judiciously recreated by Paladin to offer an authentic, traditional cast iron radiator to suit both modern and period homes.

COLUMNS **HEIGHT** (Please select your required height to view heat output and specifications)

3 **4** **460** 660 760 813



CODE/ SECTIONS	LENGTH	OUTPUT				WEIGHT (KG)	WATER CONTENT (LTRs)
		Dt60		Dt50			
		BTUs	WATTS	BTUs	WATTS		
VIC4-460-03	216	730	214	576	169	10	1.50
VIC4-460-04	277	974	285	768	225	13	2.00
VIC4-460-05	338	1217	357	960	282	16	2.50
VIC4-460-06	398	1460	428	1153	338	20	3.00
VIC4-460-07	459	1704	499	1345	394	23	3.50
VIC4-460-08	520	1947	571	1537	450	26	4.00
VIC4-460-09	580	2190	642	1729	507	30	4.50
VIC4-460-10	641	2434	713	1921	563	33	5.00
VIC4-460-11	702	2677	785	2113	619	36	5.50
VIC4-460-12	762	2921	856	2305	676	39	6.00
VIC4-460-13	823	3164	927	2497	732	43	6.50
VIC4-460-14	884	3407	999	2689	788	46	7.00
VIC4-460-15	945	3651	1070	2881	845	49	7.50
VIC4-460-16	1005	3894	1141	3074	901	53	8.00
VIC4-460-17	1066	4138	1213	3266	957	56	8.50
VIC4-460-18	1127	4381	1284	3458	1013	59	9.00
VIC4-460-19	1187	4624	1355	3650	1070	62	9.50
VIC4-460-20	1248	4868	1427	3842	1126	66	10.00
VIC4-460-21	1309	5111	1498	4034	1182	69	10.50
VIC4-460-22	1369	5354	1569	4226	1239	72	11.00
VIC4-460-23	1430	5598	1641	4418	1295	75	11.50
VIC4-460-24	1491	5841	1712	4610	1351	79	12.00
VIC4-460-25	1552	6085	1783	4802	1408	82	12.50
VIC4-460-26	1612	6328	1855	4994	1464	85	13.00
VIC4-460-27	1673	6571	1926	5187	1520	89	13.50
VIC4-460-28	1734	6815	1997	5379	1576	92	14.00
VIC4-460-29	1794	7058	2069	5571	1633	95	14.50
VIC4-460-30	1855	7302	2140	5763	1689	98	15.00
VIC4-460-31	1916	7545	2211	5955	1745	102	15.50
VIC4-460-32	1976	7788	2283	6147	1802	105	16.00
VIC4-460-33	2037	8032	2354	6339	1858	108	16.50
VIC4-460-34	2098	8275	2425	6531	1914	112	17.00
VIC4-460-35	2159	8518	2497	6723	1971	115	17.50
VIC4-460-36	2219	8762	2568	6915	2027	118	18.00
VIC4-460-37	2280	9005	2639	7108	2083	121	18.50
VIC4-460-38	2341	9249	2711	7300	2139	125	19.00
VIC4-460-39	2401	9492	2782	7492	2196	128	19.50
VIC4-460-40	2462	9735	2853	7684	2252	131	20.00



01205 280354

sales@paladinradiators.com

www.paladinradiators.com

Paladin Radiators, Langrick Road,
New York, Lincolnshire LN4 4XH



Maximum test pressure = 3.3 bar | Maximum working pressure = 2.5 bar

Dt50 figures shown in accordance with BS EN442. We have, from experience, found that the Dt60 figures usually give adequate output without oversizing the radiators on standard heating systems. Maximum test pressure = 3.3 bar | Maximum working pressure = 2.5 bar. Lengths quoted are given in good faith. However, due to the nature of the manufacturing process tolerances can and should be expected. Quoted dimensions should therefore only be used as a guideline. Longer lengths are available on request.

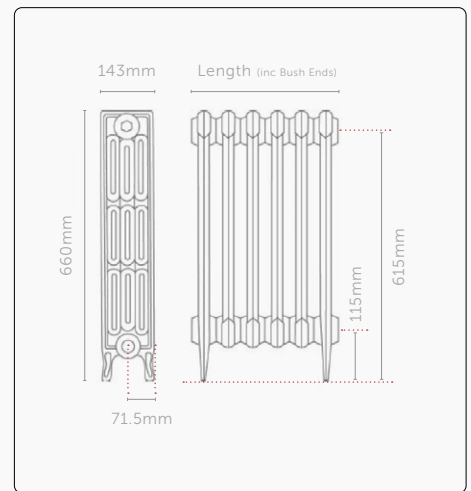
Victoriana

When history should repeat itself, meet the Victoriana – a 19th-century masterpiece. The Victoriana design reins from America in the 1880's. Beautifully simplistic, the Victoriana design could be found in buildings during the late Victorian era. This simple, yet elegant style has been judiciously recreated by Paladin to offer an authentic, traditional cast iron radiator to suit both modern and period homes.

COLUMNS **HEIGHT** (Please select your required height to view heat output and specifications)

3 **4** 460 **660** 760 813

CODE/ SECTIONS	LENGTH	OUTPUT				WEIGHT (KG)	WATER CONTENT (LTRs)
		Dt60		Dt50			
		BTUs	WATTS	BTUs	WATTS		
VIC4-660-03	219	1053	309	831	244	13	1.88
VIC4-660-04	281	1404	412	1108	325	18	2.50
VIC4-660-05	343	1755	514	1385	406	22	3.13
VIC4-660-06	405	2106	617	1662	487	26	3.75
VIC4-660-07	467	2457	720	1939	568	31	4.38
VIC4-660-08	528	2808	823	2216	650	35	5.00
VIC4-660-09	590	3159	926	2493	731	40	5.63
VIC4-660-10	652	3510	1029	2771	812	44	6.25
VIC4-660-11	714	3861	1132	3048	893	48	6.88
VIC4-660-12	776	4212	1235	3325	974	53	7.50
VIC4-660-13	837	4563	1337	3602	1056	57	8.13
VIC4-660-14	899	4914	1440	3879	1137	62	8.75
VIC4-660-15	961	5265	1543	4156	1218	66	9.38
VIC4-660-16	1023	5616	1646	4433	1299	70	10.00
VIC4-660-17	1085	5967	1749	4710	1380	75	10.63
VIC4-660-18	1146	6319	1852	4987	1462	79	11.25
VIC4-660-19	1208	6670	1955	5264	1543	84	11.88
VIC4-660-20	1270	7021	2058	5541	1624	88	12.50
VIC4-660-21	1332	7372	2160	5818	1705	92	13.13
VIC4-660-22	1394	7723	2263	6095	1786	97	13.75
VIC4-660-23	1455	8074	2366	6372	1868	101	14.38
VIC4-660-24	1517	8425	2469	6649	1949	106	15.00
VIC4-660-25	1579	8776	2572	6926	2030	110	15.63
VIC4-660-26	1641	9127	2675	7203	2111	114	16.25
VIC4-660-27	1703	9478	2778	7480	2192	119	16.88
VIC4-660-28	1764	9829	2881	7758	2274	123	17.50
VIC4-660-29	1826	10180	2984	8035	2355	128	18.13
VIC4-660-30	1888	10531	3086	8312	2436	132	18.75
VIC4-660-31	1950	10882	3189	8589	2517	136	19.38
VIC4-660-32	2012	11233	3292	8866	2598	141	20.00
VIC4-660-33	2073	11584	3395	9143	2680	145	20.63
VIC4-660-34	2135	11935	3498	9420	2761	150	21.25
VIC4-660-35	2197	12286	3601	9697	2842	154	21.88
VIC4-660-36	2259	12637	3704	9974	2923	158	22.50
VIC4-660-37	2321	12988	3807	10251	3004	163	23.13
VIC4-660-38	2382	13339	3909	10528	3086	167	23.75
VIC4-660-39	2444	13690	4012	10805	3167	172	24.38
VIC4-660-40	2506	14041	4115	11082	3248	176	25.00



01205 280354

sales@paladinradiators.com

www.paladinradiators.com

Paladin Radiators, Langrick Road,
New York, Lincolnshire LN4 4XH



Maximum test pressure = 3.3 bar | Maximum working pressure = 2.5 bar

Dt50 figures shown in accordance with BS EN442. We have, from experience, found that the Dt60 figures usually give adequate output without oversizing the radiators on standard heating systems. Maximum test pressure = 3.3 bar | Maximum working pressure = 2.5 bar. Lengths quoted are given in good faith. However, due to the nature of the manufacturing process tolerances can and should be expected. Quoted dimensions should therefore only be used as a guideline. Longer lengths are available on request.

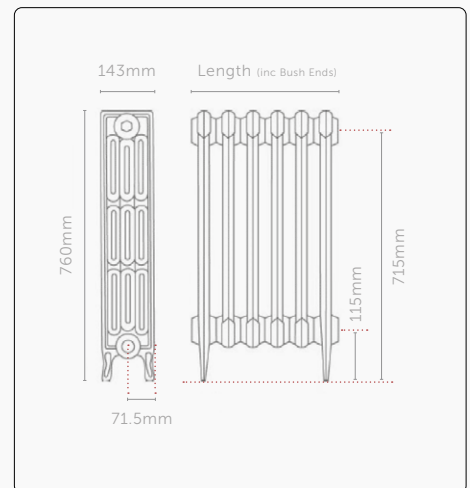
Victoriana

When history should repeat itself, meet the Victoriana – a 19th-century masterpiece. The Victoriana design reins from America in the 1880's. Beautifully simplistic, the Victoriana design could be found in buildings during the late Victorian era. This simple, yet elegant style has been judiciously recreated by Paladin to offer an authentic, traditional cast iron radiator to suit both modern and period homes.

COLUMNS **HEIGHT** (Please select your required height to view heat output and specifications)

3 **4** 460 660 **760** 813

CODE/ SECTIONS	LENGTH	OUTPUT				WEIGHT (KG)	WATER CONTENT (LTRs)
		Dt60		Dt50			
		BTUs	WATTS	BTUs	WATTS		
VIC4-760-03	217	1229	360	970	284	17	2.55
VIC4-760-04	278	1638	480	1293	379	23	3.40
VIC4-760-05	340	2048	600	1616	474	29	4.25
VIC4-760-06	401	2457	720	1939	568	35	5.10
VIC4-760-07	462	2867	840	2263	663	41	5.95
VIC4-760-08	523	3276	960	2586	758	46	6.80
VIC4-760-09	584	3686	1080	2909	853	52	7.65
VIC4-760-10	645	4095	1200	3232	947	58	8.50
VIC4-760-11	706	4505	1320	3555	1042	64	9.35
VIC4-760-12	767	4914	1440	3879	1137	70	10.20
VIC4-760-13	828	5324	1560	4202	1231	75	11.05
VIC4-760-14	889	5733	1680	4525	1326	81	11.90
VIC4-760-15	951	6143	1800	4848	1421	87	12.75
VIC4-760-16	1012	6552	1920	5172	1516	93	13.60
VIC4-760-17	1073	6962	2040	5495	1610	99	14.45
VIC4-760-18	1134	7371	2160	5818	1705	104	15.30
VIC4-760-19	1195	7781	2280	6141	1800	110	16.15
VIC4-760-20	1256	8190	2400	6464	1895	116	17.00
VIC4-760-21	1317	8600	2520	6788	1989	122	17.85
VIC4-760-22	1378	9009	2641	7111	2084	128	18.70
VIC4-760-23	1439	9419	2761	7434	2179	133	19.55
VIC4-760-24	1500	9828	2881	7757	2274	139	20.40
VIC4-760-25	1562	10238	3001	8080	2368	145	21.25
VIC4-760-26	1623	10647	3121	8404	2463	151	22.10
VIC4-760-27	1684	11057	3241	8727	2558	157	22.95
VIC4-760-28	1745	11467	3361	9050	2652	162	23.80
VIC4-760-29	1806	11876	3481	9373	2747	168	24.65
VIC4-760-30	1867	12286	3601	9697	2842	174	25.50
VIC4-760-31	1928	12695	3721	10020	2937	180	26.35
VIC4-760-32	1989	13105	3841	10343	3031	186	27.20
VIC4-760-33	2050	13514	3961	10666	3126	191	28.05
VIC4-760-34	2111	13924	4081	10989	3221	197	28.90
VIC4-760-35	2173	14333	4201	11313	3316	203	29.75
VIC4-760-36	2234	14743	4321	11636	3410	209	30.60
VIC4-760-37	2295	15152	4441	11959	3505	215	31.45
VIC4-760-38	2356	15562	4561	12282	3600	220	32.30
VIC4-760-39	2417	15971	4681	12606	3694	226	33.15
VIC4-760-40	2478	16381	4801	12929	3789	232	34.00



01205 280354

sales@paladinradiators.com

www.paladinradiators.com

Paladin Radiators, Langrick Road,
New York, Lincolnshire LN4 4XH



Maximum test pressure = 3.3 bar | Maximum working pressure = 2.5 bar

Dt50 figures shown in accordance with BS EN442. We have, from experience, found that the Dt60 figures usually give adequate output without oversizing the radiators on standard heating systems. Maximum test pressure = 3.3 bar | Maximum working pressure = 2.5 bar. Lengths quoted are given in good faith. However, due to the nature of the manufacturing process tolerances can and should be expected. Quoted dimensions should therefore only be used as a guideline. Longer lengths are available on request.

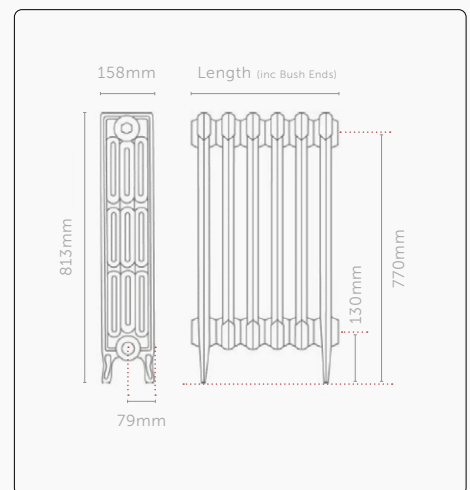
Victoriana

When history should repeat itself, meet the Victoriana – a 19th-century masterpiece. The Victoriana design reins from America in the 1880's. Beautifully simplistic, the Victoriana design could be found in buildings during the late Victorian era. This simple, yet elegant style has been judiciously recreated by Paladin to offer an authentic, traditional cast iron radiator to suit both modern and period homes.

COLUMNS **HEIGHT** (Please select your required height to view heat output and specifications)

3 **4** 460 660 760 **813**

CODE/ SECTIONS	LENGTH	OUTPUT				WEIGHT (KG)	WATER CONTENT (LTRs)
		Dt60		Dt50			
		BTUs	WATTS	BTUs	WATTS		
VIC4-813-03	214	1360	399	1074	315	19	2.70
VIC4-813-04	274	1814	532	1432	420	26	3.60
VIC4-813-05	335	2267	665	1790	525	32	4.50
VIC4-813-06	395	2721	797	2148	629	39	5.40
VIC4-813-07	455	3174	930	2505	734	45	6.30
VIC4-813-08	515	3628	1063	2863	839	52	7.20
VIC4-813-09	575	4081	1196	3221	944	58	8.10
VIC4-813-10	635	4535	1329	3579	1049	65	9.00
VIC4-813-11	695	4988	1462	3937	1154	71	9.90
VIC4-813-12	755	5442	1595	4295	1259	78	10.80
VIC4-813-13	815	5895	1728	4653	1364	84	11.70
VIC4-813-14	875	6349	1861	5011	1469	90	12.60
VIC4-813-15	936	6802	1994	5369	1574	97	13.50
VIC4-813-16	996	7256	2127	5727	1678	103	14.40
VIC4-813-17	1056	7709	2259	6085	1783	110	15.30
VIC4-813-18	1116	8163	2392	6443	1888	116	16.20
VIC4-813-19	1176	8616	2525	6800	1993	123	17.10
VIC4-813-20	1236	9070	2658	7158	2098	129	18.00
VIC4-813-21	1296	9523	2791	7516	2203	136	18.90
VIC4-813-22	1356	9977	2924	7874	2308	142	19.80
VIC4-813-23	1416	10430	3057	8232	2413	149	20.70
VIC4-813-24	1476	10884	3190	8590	2518	155	21.60
VIC4-813-25	1537	11337	3323	8948	2623	162	22.50
VIC4-813-26	1597	11791	3456	9306	2727	168	23.40
VIC4-813-27	1657	12244	3589	9664	2832	174	24.30
VIC4-813-28	1717	12698	3721	10022	2937	181	25.20
VIC4-813-29	1777	13151	3854	10380	3042	187	26.10
VIC4-813-30	1837	13604	3987	10738	3147	194	27.00
VIC4-813-31	1897	14058	4120	11095	3252	200	27.90
VIC4-813-32	1957	14511	4253	11453	3357	207	28.80
VIC4-813-33	2017	14965	4386	11811	3462	213	29.70
VIC4-813-34	2077	15418	4519	12169	3567	220	30.60
VIC4-813-35	2138	15872	4652	12527	3672	226	31.50
VIC4-813-36	2198	16325	4785	12885	3776	233	32.40
VIC4-813-37	2258	16779	4918	13243	3881	239	33.30
VIC4-813-38	2318	17232	5051	13601	3986	246	34.20
VIC4-813-39	2378	17686	5183	13959	4091	252	35.10
VIC4-813-40	2438	18139	5316	14317	4196	258	36.00



01205 280354

sales@paladinradiators.com

www.paladinradiators.com

Paladin Radiators, Langrick Road,
New York, Lincolnshire LN4 4XH



Maximum test pressure = 3.3 bar | Maximum working pressure = 2.5 bar

Dt50 figures shown in accordance with BS EN442. We have, from experience, found that the Dt60 figures usually give adequate output without oversizing the radiators on standard heating systems. Maximum test pressure = 3.3 bar | Maximum working pressure = 2.5 bar. Lengths quoted are given in good faith. However, due to the nature of the manufacturing process tolerances can and should be expected. Quoted dimensions should therefore only be used as a guideline. Longer lengths are available on request.