

Heat outputs in Watt (EN442)

Design Vertical Style Vertical

| wys. mm | 1600  |        |        |        | 1800   |        |        |        | 2000   |        |        |        | 2200   |        |        |        |
|---------|-------|--------|--------|--------|--------|--------|--------|--------|--------|--------|--------|--------|--------|--------|--------|--------|
|         | szer. | typ 11 | typ 20 | typ 21 | typ 22 | typ 11 | typ 20 | typ 21 | typ 22 | typ 11 | typ 20 | typ 21 | typ 22 | typ 11 | typ 20 | typ 21 |
| 300     | 588   | 693    | 842    | 1026   | 640    | 760    | 918    | 1107   | 689    | 824    | 981    | 1188   | 736    | 887    | 1053   | 1269   |
|         | 475   | 564    | 681    | 828    | 518    | 618    | 743    | 893    | 558    | 670    | 794    | 957    | 597    | 722    | 853    | 1022   |
|         | 302   | 362    | 432    | 522    | 329    | 397    | 472    | 563    | 355    | 430    | 505    | 603    | 380    | 463    | 534    | 634    |
| 400     | 784   | 924    | 1123   | 1368   | 853    | 1013   | 1224   | 1476   | 919    | 1099   | 1308   | 1584   | 982    | 1183   | 1404   | 1692   |
|         | 634   | 752    | 908    | 1103   | 691    | 824    | 990    | 1190   | 745    | 894    | 1059   | 1277   | 796    | 962    | 1137   | 1363   |
|         | 402   | 483    | 576    | 696    | 439    | 529    | 629    | 750    | 474    | 574    | 673    | 804    | 507    | 618    | 724    | 858    |
| 500     | 980   | 1155   | 1404   | 1710   | 1067   | 1266   | 1530   | 1845   | 1149   | 1374   | 1635   | 1980   | 1227   | 1479   | 1755   | 2115   |
|         | 792   | 940    | 1135   | 1379   | 863    | 1030   | 1238   | 1488   | 931    | 1117   | 1323   | 1596   | 994    | 1203   | 1421   | 1704   |
|         | 503   | 604    | 720    | 870    | 549    | 661    | 786    | 938    | 592    | 717    | 841    | 1005   | 634    | 772    | 905    | 1072   |
| 600     | 1175  | 1386   | 1685   | 2052   | 1280   | 1519   | 1836   | 2214   | 1379   | 1649   | 1962   | 2376   | 1472   | 1775   | 2106   | 2538   |
|         | 951   | 1127   | 1362   | 1655   | 1036   | 1236   | 1485   | 1785   | 1117   | 1341   | 1588   | 1915   | 1193   | 1443   | 1706   | 2045   |
|         | 603   | 724    | 864    | 1044   | 658    | 794    | 943    | 1125   | 711    | 861    | 1010   | 1206   | 761    | 926    | 1086   | 1286   |
| 700     | 1371  | 1617   | 1966   | 2394   | 1493   | 1772   | 2142   | 2583   | 1609   | 1924   | 2289   | 2772   | 1718   | 2071   | 2457   | 2961   |
|         | 1109  | 1315   | 1589   | 1931   | 1209   | 1442   | 1733   | 2083   | 1303   | 1564   | 1853   | 2234   | 1392   | 1684   | 1990   | 2385   |
|         | 704   | 845    | 1008   | 1218   | 768    | 926    | 1110   | 1313   | 829    | 1004   | 1178   | 1407   | 887    | 1081   | 1267   | 1501   |



- EN442 ■ 75/65/20°C
- EN442 ■ 70/55/20°C
- EN442 ■ 55/45/20°C

Discover Vertical Models

Vertical

| wys. mm | 1600  |        |        |        | 1800   |        |        |        | 2000   |        |        |        | 2200   |        |        |        |
|---------|-------|--------|--------|--------|--------|--------|--------|--------|--------|--------|--------|--------|--------|--------|--------|--------|
|         | szer. | typ 11 | typ 20 | typ 21 | typ 22 | typ 11 | typ 20 | typ 21 | typ 22 | typ 11 | typ 20 | typ 21 | typ 22 | typ 11 | typ 20 | typ 21 |
| 300     | 647   | 778    | 909    | 1089   | 714    | 860    | 999    | 1188   | 779    | 936    | 1080   | 1287   | 841    | 1017   | 1161   | 1386   |
|         | 521   | 627    | 733    | 878    | 575    | 694    | 805    | 957    | 627    | 757    | 870    | 1036   | 678    | 823    | 935    | 1115   |
|         | 327   | 396    | 462    | 553    | 361    | 439    | 507    | 602    | 395    | 480    | 548    | 651    | 427    | 524    | 588    | 700    |
| 400     | 863   | 1037   | 1212   | 1452   | 952    | 1146   | 1332   | 1584   | 1038   | 1248   | 1440   | 1716   | 1121   | 1356   | 1548   | 1848   |
|         | 694   | 837    | 977    | 1170   | 766    | 926    | 1074   | 1276   | 837    | 1009   | 1160   | 1381   | 904    | 1098   | 1247   | 1487   |
|         | 436   | 528    | 616    | 737    | 482    | 586    | 676    | 803    | 527    | 640    | 730    | 868    | 570    | 698    | 784    | 933    |
| 500     | 1079  | 1296   | 1515   | 1815   | 1190   | 1433   | 1665   | 1980   | 1298   | 1560   | 1800   | 2145   | 1401   | 1695   | 1935   | 2310   |
|         | 868   | 1046   | 1222   | 1463   | 958    | 1157   | 1342   | 1595   | 1046   | 1262   | 1450   | 1727   | 1130   | 1372   | 1558   | 1859   |
|         | 545   | 660    | 771    | 921    | 602    | 732    | 846    | 1003   | 658    | 800    | 913    | 1085   | 712    | 873    | 980    | 1166   |
| 600     | 1294  | 1555   | 1818   | 2178   | 1427   | 1719   | 1998   | 2376   | 1557   | 1872   | 2160   | 2574   | 1681   | 2034   | 2322   | 2772   |
|         | 1042  | 1255   | 1466   | 1755   | 1150   | 1389   | 1611   | 1914   | 1255   | 1514   | 1740   | 2072   | 1356   | 1647   | 1870   | 2230   |
|         | 654   | 792    | 925    | 1105   | 723    | 879    | 1015   | 1204   | 790    | 960    | 1095   | 1302   | 855    | 1047   | 1176   | 1400   |
| 700     | 1510  | 1814   | 2121   | 2541   | 1665   | 2006   | 2331   | 2772   | 1817   | 2184   | 2520   | 3003   | 1961   | 2373   | 2709   | 3234   |
|         | 1215  | 1464   | 1711   | 2048   | 1341   | 1620   | 1879   | 2233   | 1464   | 1766   | 2030   | 2418   | 1582   | 1921   | 2182   | 2602   |
|         | 763   | 924    | 1079   | 1290   | 843    | 1025   | 1184   | 1404   | 922    | 1120   | 1278   | 1519   | 997    | 1222   | 1372   | 1633   |

Delivery time depends on the model, please refer to your distributor



Vertical Design Vertical Style Vertical





**Product:** decorative vertical radiator with a centre connection and a flat front  
**Finishing:** decorative flat front and side panels  
**Also supplied:** wall brackets, ETA safety screws and plugs, screws and plugs, air vent, blind plugs and assembly instructions  
**Connections:** 4 x 1/2" female and 2 x 3/4" male connections  
**Lugs:** no lugs  
**Packaging:** Every radiator is sturdily packaged in high-quality cardboard and wrapped in plastic. The radiator's characteristics are shown on the label: type – height – length.  
**Warranty:** 10 years. General T&Cs of Warranty apply.  
**Paint process:** All radiators are degreased, phosphated, cathodically primed and powder-coated in Stelrad white 9016 as standard.

**Colours:** colour options available upon request  
**Max. operating pressure:** 10 bar (tested at 13 bar)  
**Max. operating temperature:** 110 °C  
**Conformity Quality:** in accordance with EN442  
**Types:** 11 | 20 | 21 | 22  
 Heights: 1.600 | 1.800 | 2.000 | 2.200 mm  
 Lengths: 300 | 400 | 500 | 600 | 700 mm  
 Depths: 49 | 79 | 79 | 102 mm

### Vertical

| Type 11              | Type 20              | Type 21              | Type 22              |
|----------------------|----------------------|----------------------|----------------------|
| 2,157 W              | 2,592 W              | 3,030 W              | 3,630 W              |
| 42,90 kg             | 63,30 kg             | 71,70 kg             | 80,70 kg             |
| 7,20 l               | 14,10 l              | 14,10 l              | 14,10 l              |
| 9,40 m <sup>2</sup>  | 7,33 m <sup>2</sup>  | 12,66 m <sup>2</sup> | 28,99 m <sup>2</sup> |
| n = 1,34             | n = 1,32             | n = 1,32             | n = 1,33             |
| 2,379 W              | 2,865 W              | 3,330 W              | 3,960 W              |
| 48,30 kg             | 71,10 kg             | 80,10 kg             | 88,80 kg             |
| 8,40 l               | 16,20 l              | 16,50 l              | 16,20 l              |
| 9,86 m <sup>2</sup>  | 8,25 m <sup>2</sup>  | 13,58 m <sup>2</sup> | 29,90 m <sup>2</sup> |
| n = 1,33             | n = 1,31             | n = 1,33             | n = 1,33             |
| 2,595 W              | 3,120 W              | 3,600 W              | 4,290 W              |
| 53,70 kg             | 78,60 kg             | 89,10 kg             | 96,60 kg             |
| 9,30 l               | 18,30 l              | 18,60 l              | 18,00 l              |
| 12,15 m <sup>2</sup> | 9,17 m <sup>2</sup>  | 16,20 m <sup>2</sup> | 37,74 m <sup>2</sup> |
| n = 1,33             | n = 1,31             | n = 1,33             | n = 1,33             |
| 2,802 W              | 3,390 W              | 3,870 W              | 4,620 W              |
| 57,90 kg             | 87,60 kg             | 98,40 kg             | 108,90 kg            |
| 10,20 l              | 20,10 l              | 20,10 l              | 20,10 l              |
| 12,61 m <sup>2</sup> | 10,09 m <sup>2</sup> | 17,11 m <sup>2</sup> | 36,66 m <sup>2</sup> |
| n = 1,32             | n = 1,30             | n = 1,33             | n = 1,34             |

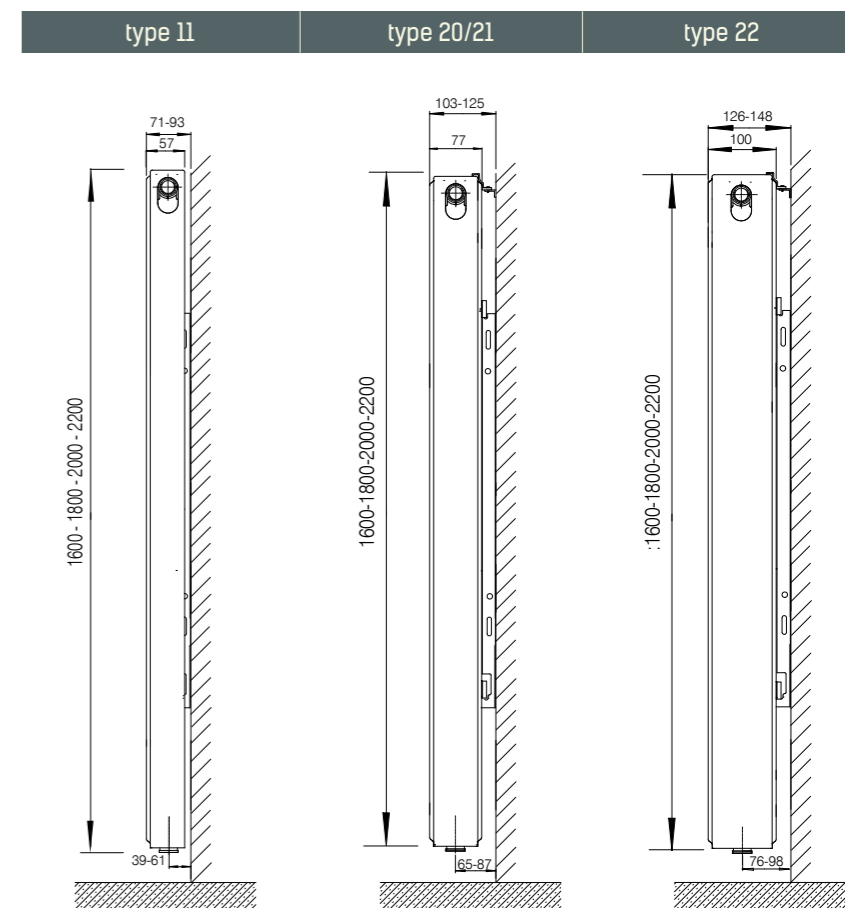
### Design Vertical, Style Vertical

| Type 11              | Type 20              | Type 21              | Type 22              | height |
|----------------------|----------------------|----------------------|----------------------|--------|
| 1,959 W              | 2,310 W              | 2,208 W              | 3,420 W              | 1600   |
| 56,10 kg             | 77,7 kg              | 85,80 kg             | 94,20 kg             |        |
| 7,20 l               | 14,10 l              | 14,10 l              | 14,10 l              |        |
| 9,40 m <sup>2</sup>  | 7,33 m <sup>2</sup>  | 12,66 m <sup>2</sup> | 28,99 m <sup>2</sup> |        |
| n = 1,31             | n = 1,27             | n = 1,31             | n = 1,32             | 1800   |
| 2,133 W              | 2,532 W              | 3,060 W              | 3,690 W              |        |
| 63,00 kg             | 86,70 kg             | 96,00 kg             | 105,30 kg            |        |
| 8,10 l               | 16,20 l              | 15,90 l              | 15,90 l              |        |
| 9,86 m <sup>2</sup>  | 8,25 m <sup>2</sup>  | 13,58 m <sup>2</sup> | 29,90 m <sup>2</sup> | 2000   |
| n = 1,30             | n = 1,27             | n = 1,30             | n = 1,33             |        |
| 2,298 W              | 2,748 W              | 3,270 W              | 3,960 W              |        |
| 69,60 kg             | 95,40 kg             | 106,20 kg            | 116,40 kg            |        |
| 9,00 l               | 18,30 l              | 17,70 l              | 17,70 l              | 2200   |
| 12,15 m <sup>2</sup> | 9,17 m <sup>2</sup>  | 16,20 m <sup>2</sup> | 37,74 m <sup>2</sup> |        |
| n = 1,30             | n = 1,27             | n = 1,30             | n = 1,33             |        |
| 2,454 W              | 2,958 W              | 3,510 W              | 4,230 W              |        |
| 75,60 kg             | 105,60 kg            | 116,40 kg            | 126,60 kg            |        |
| 9,90 l               | 20,10 l              | 20,10 l              | 20,10 l              |        |
| 12,61 m <sup>2</sup> | 10,09 m <sup>2</sup> | 17,11 m <sup>2</sup> | 36,66 m <sup>2</sup> |        |
| n = 1,29             | n = 1,27             | n = 1,30             | n = 1,33             |        |

Calculation factor per meter at 75/65/20°C according to EN442

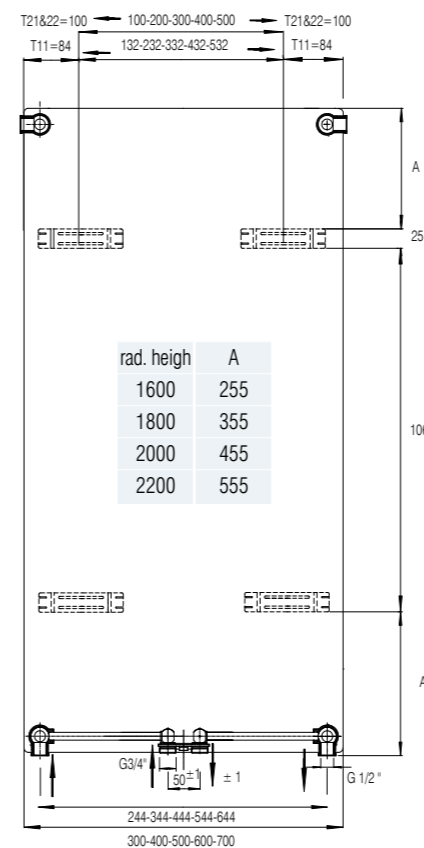
## INSTALLATION AND CONNECTION POSSIBILITIES

### SIDE VIEW



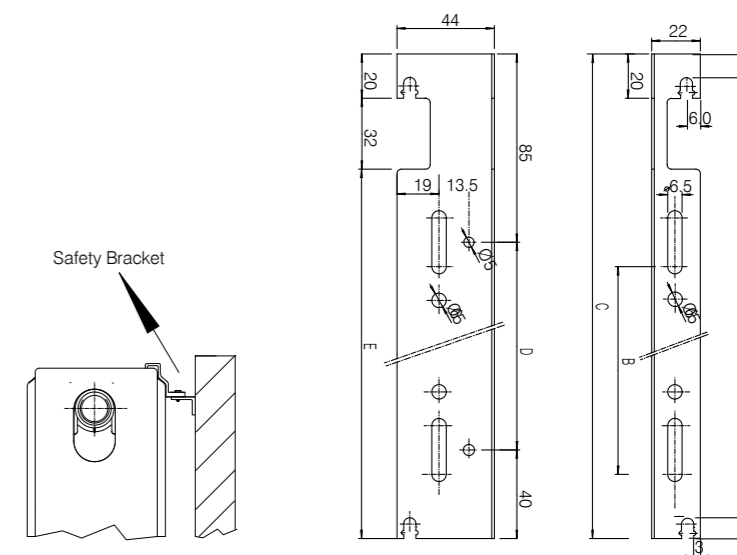
All vertical models are supplied with lugs, L brackets and safety bracket.

### LUG POSITIONS AND TAPPING DISTANCES



### WALL BRACKETS

| TYPE | 1200 |
|------|------|
| A    | 1067 |
| B    | 962  |
| C    | 1087 |
| D    | 962  |
| E    | 1035 |



## Vertical radiator with flat front: Design Vertical & Style Vertical

combine a sleek and decorative appearance and are perfect for applications where wall space is at a premium. These models can be perfectly combined with Design and Style horizontal models to provide a modern design and consistent look throughout your whole home. All types are provided with side panels and top grill so the radiator forms a compact unity.

