

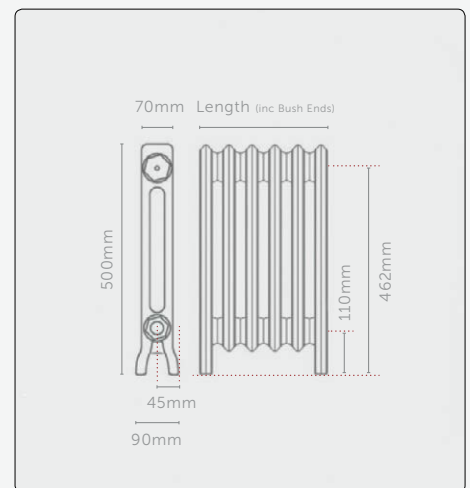
# Elizabethan

A very traditional slimline radiator crafted to offer a simple yet authentic design that will fit in almost anywhere. With classic original lines this handsome radiator compliments both contemporary and period interiors. The elegant 2 column Elizabethan is available in three useful heights of 500, 650 and 750mm perfect for those areas where space may be at a premium.

**HEIGHT** (Please select your required height to view heat output and specifications)

**500**   650   750

CODE/ SECTIONS	LENGTH	OUTPUT				WEIGHT (KG)	WATER CONTENT (LTRs)
		Dt60		Dt50			
		BTUs	WATTS	BTUs	WATTS		
ELIZ-500-03	208	606	177	480	141	9	1.08
ELIZ-500-04	269	808	236	640	188	12	1.44
ELIZ-500-05	330	1010	295	800	235	15	1.80
ELIZ-500-06	391	1212	354	960	282	18	2.16
ELIZ-500-07	452	1414	413	1120	329	21	2.52
ELIZ-500-08	513	1616	472	1280	376	24	2.88
ELIZ-500-09	574	1818	531	1440	423	27	3.24
ELIZ-500-10	635	2020	590	1600	470	30	3.60
ELIZ-500-11	696	2222	649	1760	517	33	3.96
ELIZ-500-12	757	2424	708	1920	564	36	4.32
ELIZ-500-13	818	2626	767	2080	611	39	4.68
ELIZ-500-14	879	2828	826	2240	658	42	5.04
ELIZ-500-15	940	3030	885	2400	705	45	5.40
ELIZ-500-16	1001	3232	944	2560	752	48	5.76
ELIZ-500-17	1062	3434	1003	2720	799	51	6.12
ELIZ-500-18	1123	3636	1062	2880	846	54	6.48
ELIZ-500-19	1184	3838	1121	3040	893	57	6.84
ELIZ-500-20	1245	4040	1180	3200	940	60	7.20
ELIZ-500-21	1306	4242	1239	3360	987	63	7.56
ELIZ-500-22	1367	4444	1298	3520	1034	66	7.92
ELIZ-500-23	1428	4646	1357	3680	1081	69	8.28
ELIZ-500-24	1489	4848	1416	3840	1128	72	8.64
ELIZ-500-25	1550	5050	1475	4000	1175	75	9.00
ELIZ-500-26	1611	5252	1534	4160	1222	78	9.36
ELIZ-500-27	1672	5454	1593	4320	1269	81	9.72
ELIZ-500-28	1733	5656	1652	4480	1316	84	10.08
ELIZ-500-29	1794	5858	1711	4640	1363	87	10.44
ELIZ-500-30	1855	6060	1770	4800	1410	90	10.80
ELIZ-500-31	1916	6262	1829	4960	1457	93	11.16
ELIZ-500-32	1977	6464	1888	5120	1504	96	11.52
ELIZ-500-33	2038	6666	1947	5280	1551	99	11.88
ELIZ-500-34	2099	6868	2006	5440	1598	102	12.24
ELIZ-500-35	2160	7070	2065	5600	1645	105	12.60
ELIZ-500-36	2221	7272	2124	5760	1692	108	12.96
ELIZ-500-37	2282	7474	2183	5920	1739	111	13.32
ELIZ-500-38	2343	7676	2242	6080	1786	114	13.68
ELIZ-500-39	2404	7878	2301	6240	1833	117	14.04
ELIZ-500-40	2465	8080	2360	6400	1880	120	14.40



01205 280354

sales@paladinradiators.com

www.paladinradiators.com

Paladin Radiators, Langrick Road,  
New York, Lincolnshire LN4 4XH



Maximum test pressure = 3.3 bar | Maximum working pressure = 2.5 bar

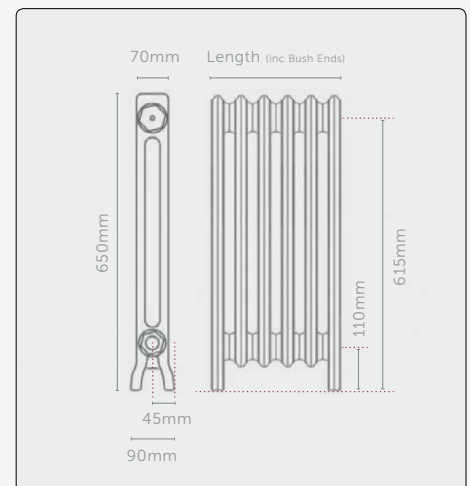
# Elizabethan

A very traditional slimline radiator crafted to offer a simple yet authentic design that will fit in almost anywhere. With classic original lines this handsome radiator compliments both contemporary and period interiors. The elegant 2 column Elizabethan is available in three useful heights of 500, 650 and 750mm perfect for those areas where space may be at a premium.

**HEIGHT** (Please select your required height to view heat output and specifications)

500   **650**   750

CODE/ SECTIONS	LENGTH	OUTPUT				WEIGHT (KG)	WATER CONTENT (LTRs)
		Dt60		Dt50			
		BTUs	WATTS	BTUs	WATTS		
ELIZ-650-03	208	684	201	540	159	12	1.44
ELIZ-650-04	269	912	268	720	212	16	1.92
ELIZ-650-05	330	1140	335	900	265	20	2.40
ELIZ-650-06	391	1368	402	1080	318	24	2.88
ELIZ-650-07	452	1596	469	1260	371	28	3.36
ELIZ-650-08	513	1824	536	1440	424	32	3.84
ELIZ-650-09	574	2052	603	1620	477	36	4.32
ELIZ-650-10	635	2280	670	1800	530	40	4.80
ELIZ-650-11	696	2508	737	1980	583	44	5.28
ELIZ-650-12	757	2736	804	2160	636	48	5.76
ELIZ-650-13	818	2964	871	2340	689	52	6.24
ELIZ-650-14	879	3192	938	2520	742	56	6.72
ELIZ-650-15	940	3420	1005	2700	795	60	7.20
ELIZ-650-16	1001	3648	1072	2880	848	64	7.68
ELIZ-650-17	1062	3876	1139	3060	901	68	8.16
ELIZ-650-18	1123	4104	1206	3240	954	72	8.64
ELIZ-650-19	1184	4332	1273	3420	1007	76	9.12
ELIZ-650-20	1245	4560	1340	3600	1060	80	9.60
ELIZ-650-21	1306	4788	1407	3780	1113	84	10.08
ELIZ-650-22	1367	5016	1474	3960	1166	88	10.56
ELIZ-650-23	1428	5244	1541	4140	1219	92	11.04
ELIZ-650-24	1489	5472	1608	4320	1272	96	11.52
ELIZ-650-25	1550	5700	1675	4500	1325	100	12.00
ELIZ-650-26	1611	5928	1742	4680	1378	104	12.48
ELIZ-650-27	1672	6156	1809	4860	1431	108	12.96
ELIZ-650-28	1733	6384	1876	5040	1484	112	13.44
ELIZ-650-29	1794	6612	1943	5220	1537	116	13.92
ELIZ-650-30	1855	6840	2010	5400	1590	120	14.40
ELIZ-650-31	1916	7068	2077	5580	1643	124	14.88
ELIZ-650-32	1977	7296	2144	5760	1696	128	15.36
ELIZ-650-33	2038	7524	2211	5940	1749	132	15.84
ELIZ-650-34	2099	7752	2278	6120	1802	136	16.32
ELIZ-650-35	2160	7980	2345	6300	1855	140	16.80
ELIZ-650-36	2221	8208	2412	6480	1908	144	17.28
ELIZ-650-37	2282	8436	2479	6660	1961	148	17.76
ELIZ-650-38	2343	8664	2546	6840	2014	152	18.24
ELIZ-650-39	2404	8892	2613	7020	2067	156	18.72
ELIZ-650-40	2465	9120	2680	7200	2120	160	19.20



01205 280354

sales@paladinradiators.com

[www.paladinradiators.com](http://www.paladinradiators.com)

Paladin Radiators, Langrick Road,  
New York, Lincolnshire LN4 4XH



Maximum test pressure = 3.3 bar | Maximum working pressure = 2.5 bar

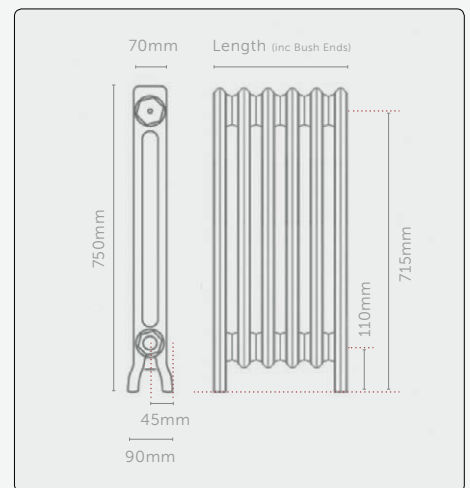
# Elizabethan

A very traditional slimline radiator crafted to offer a simple yet authentic design that will fit in almost anywhere. With classic original lines this handsome radiator compliments both contemporary and period interiors. The elegant 2 column Elizabethan is available in three useful heights of 500, 650 and 750mm perfect for those areas where space may be at a premium.

**HEIGHT** (Please select your required height to view heat output and specifications)

500   650   **750**

CODE/ SECTIONS	LENGTH	OUTPUT				WEIGHT (KG)	WATER CONTENT (LTRs)
		Dt60		Dt50			
		BTUs	WATTS	BTUs	WATTS		
ELIZ-750-03	208	798	234	630	186	13.5	1.68
ELIZ-750-04	269	1064	312	840	248	18	2.24
ELIZ-750-05	330	1330	390	1050	310	22.5	2.80
ELIZ-750-06	391	1596	468	1260	372	27	3.36
ELIZ-750-07	452	1862	546	1470	434	31.5	3.92
ELIZ-750-08	513	2128	624	1680	496	36	4.48
ELIZ-750-09	574	2394	702	1890	558	40.5	5.04
ELIZ-750-10	635	2660	780	2100	620	45	5.60
ELIZ-750-11	696	2926	858	2310	682	49.5	6.16
ELIZ-750-12	757	3192	936	2520	744	54	6.72
ELIZ-750-13	818	3458	1014	2730	806	58.5	7.28
ELIZ-750-14	879	3724	1092	2940	868	63	7.84
ELIZ-750-15	940	3990	1170	3150	930	67.5	8.40
ELIZ-750-16	1001	4256	1248	3360	992	72	8.96
ELIZ-750-17	1062	4522	1326	3570	1054	76.5	9.52
ELIZ-750-18	1123	4788	1404	3780	1116	81	10.08
ELIZ-750-19	1184	5054	1482	3990	1178	85.5	10.64
ELIZ-750-20	1245	5320	1560	4200	1240	90	11.20
ELIZ-750-21	1306	5586	1638	4410	1302	94.5	11.76
ELIZ-750-22	1367	5852	1716	4620	1364	99	12.32
ELIZ-750-23	1428	6118	1794	4830	1426	103.5	12.88
ELIZ-750-24	1489	6384	1872	5040	1488	108	13.44
ELIZ-750-25	1550	6650	1950	5250	1550	112.5	14.00
ELIZ-750-26	1611	6916	2028	5460	1612	117	14.56
ELIZ-750-27	1672	7182	2106	5670	1674	121.5	15.12
ELIZ-750-28	1733	7448	2184	5880	1736	126	15.68
ELIZ-750-29	1794	7714	2262	6090	1798	130.5	16.24
ELIZ-750-30	1855	7980	2340	6300	1860	135	16.80
ELIZ-750-31	1916	8246	2418	6510	1922	139.5	17.36
ELIZ-750-32	1977	8512	2496	6720	1984	144	17.92
ELIZ-750-33	2038	8778	2574	6930	2046	148.5	18.48
ELIZ-750-34	2099	9044	2652	7140	2108	153	19.04
ELIZ-750-35	2160	9310	2730	7350	2170	157.5	19.60
ELIZ-750-36	2221	9576	2808	7560	2232	162	20.16
ELIZ-750-37	2282	9842	2886	7770	2294	166.5	20.72
ELIZ-750-38	2343	10108	2964	7980	2356	171	21.28
ELIZ-750-39	2404	10374	3042	8190	2418	175.5	21.84
ELIZ-750-40	2465	10640	3120	8400	2480	180	22.40



01205 280354

sales@paladinradiators.com

[www.paladinradiators.com](http://www.paladinradiators.com)

Paladin Radiators, Langrick Road,  
New York, Lincolnshire LN4 4XH



Maximum test pressure = 3.3 bar | Maximum working pressure = 2.5 bar